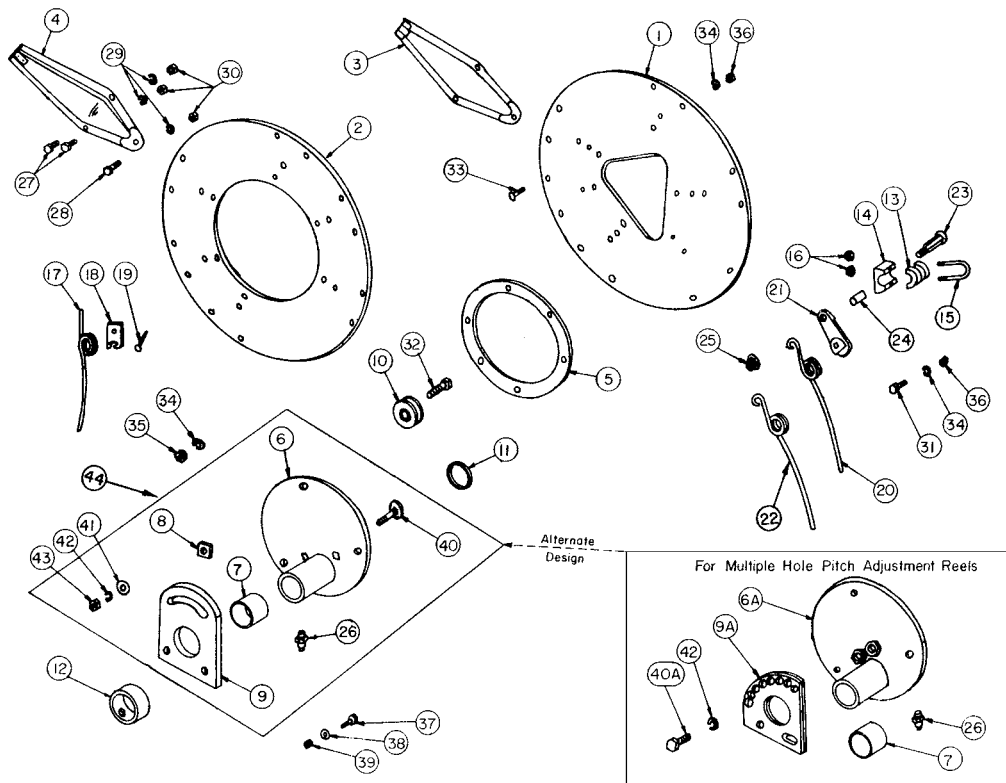


Index

Hart Carter ML Reel Bats & Attaching Parts.....	5	Universal Profiteer Reel Parts	14
Hart Carter ML Reel Parts		Universal Series I Reel Parts.....	15
5 bat.....	4	Universal Series II Reel Parts	16-17
6 bat.....	5		
Hart Carter Parts Interchange	6		
Hart Carter to Agco Allis			
Hart Carter to Case/IH			
Hart Carter to John Deere			
Hart Carter to New Holland			
Hart Carter Polytime Reel Parts			
5 bat.....	3		
6 bat.....	3		
Hart Carter Wood Bat Reel Parts			
5 bat.....	1,2		
6 bat.....	2		
HCC ML Reel Parts			
5 bat.....	4		
6 bat.....	5		
HCC Paddle Tines	7		
HCC Parts Interchange	6		
HCC to Agco Allis			
HCC to Case/IH			
HCC to John Deere			
HCC to New Holland			
HCC Polytime Reel Parts			
5 bat.....	3		
6 bat.....	3		
HCC ML Reel Bats & Attaching Parts.....	5		
HCC Wood Bat Reel Parts			
5 bat.....	1,2		
6 bat.....	2		
Kilberry Pickup Reel Repair Parts	8-9		
MacDon Pickup Reel Repair Parts			
MacDon 2000 Repair Parts			
(for reels with serial no. 70213 and up)	10-11		
MacDon 2000B Repair Parts			
(for reels with serial no. 93000 and up)	12-13		
MacDon Original Style Parts	8-9		

**INTENTIONALLY
BLANK**

HART CARTER / HCC OLDER WOOD BAT REEL PARTS



5 Bat Parts Listing

Not All Parts May Be Available

ITEM	PART NO.	DESCRIPTION	QTY USED
1	HCP 480855	Spider plate (for 6" center)	3 or 4
1	HCP 481338	Spider plate (for 8" center)	4 or 5
2	HCP 480854	Eccentric spider plate	2
3	HCP 780189	Reel arm	15, 20, or 25
4	HCP 780189	Eccentric reel arm	10
5	HCP 480720	Eccentric Control ring	2
6	HCP 781119*	Eccentric roller frame	2
6A	HCP 780690**	Eccentric roller frame	2
7	HCP 243340	Super oilite bearing (1 3/4" OD x 1 9/16" ID x 1 1/2")	4
8	HCP 481066*	Spacer	2
9	HCP 481067*	Eccentric slot adjustment plate	2
9A	HCP 780100**	Eccentric adjustment plate	2
10	HCP 243330	Ball bearing roller	6
11	HCP 214430	Special flat washer (2 1/4" OD x 1 5/8" ID x 11 ga.)	4
12	HCP 781055	Lock collar w/set screws	2
13	HCP 243310	Bearing cap	25, 30, or 35
14	HCP 243320	Bearing base	25, 30, or 35
15	HCP 204110	U-bolt (1/4" - 20 UNC x 1 7/8")	25, 30 or 35
16	HCP 212111	Lock nut (1/4" x 20 NC)	50, 60, or 70

ITEM	PART NO.	DESCRIPTION	QTY USED
17	HCP 480056	Bat tine	
18	HCP 480057	Tine clip	
19	HCP 213044	Tubular rivet (3/16" x 1")	
20-21	HCP 780110	Auxiliary pickup finger assy. (LH)	5
20	HCP 481088	Auxiliary tine (LH)	5
21	HCP 780160	Finger strap	10
22	HCP 481087	Auxiliary tine (RH)	5
21-22	HCP 780120	Auxiliary pickup finger assy (RH)	5
23	HCP 204101	Hex shank bolt (1/2" - 20 NF x 2 1/2")	10
24	HCP 214420	Tubing spacer	10
25	HCP 212239	Flange lock nut (1/2" - 20 NF)	10
26	HCP 218110	Grease fitting (1/8" - NPT - Str.)	2
27		Hex head bolt (5/16" - 18 NC x 1/2")	65, 80, or 95
28		Hex head bolt (5/16" - 18 NC x 3/4")	10
29		Lock washer (5/16")	75, 90, or 105
30		Hex nut (5/16" - 18 NC)	75, 90, or 105

Continued . . .

*These items are used in conjunction with each other on slot pitch adjustment reels.

**These items are used in conjunction with each other on multiple hole pitch adjustment reels.

HART CARTER / HCC OLDER WOOD BAT REEL PARTS

5 Bat Parts Listing (Continued)

Not All Parts May Be Available

ITEM	PART NO.	DESCRIPTION	QTY USED
31		Hex head bolt (3/8" - 16 NC x 3/4")	3, 6, or 9
32		Hex head bolt (3/8" - 16 NC x 1 3/4")	6
33		Short sq. carriage bolt (3/8" - 16 NC x 1")	6
34		Lock washer (3/8")	15, 18, or 21
35		Hex nut (3/8" - 16 NC)	6
36		Hex lock nut (3/8" - 16 NC)	9, 12, or 15
37		Hex head bolt (7/16" - 14 NC x 1 1/4")	4

*These items are used in conjunction with each other on slot pitch adjustment reels.

**These items are used in conjunction with each other on multiple hole pitch adjustment reels.

ITEM	PART NO.	DESCRIPTION	QTY USED
38		Lock washer (7/16")	4
39		Hex nut (7/16" - 14 NC)	4
40	*	Std. sq. carriage bolt (1/2" - 13 NC x 1 3/4")	2
40A	**	Hex head bolt (1/2" - 13 NC x 1")	2
41	*	Flat washer (1/2")	2
42	**	Lock washer (1/2")	2
43	*	Hex nut (1/2" - 13 NC)	2
44	HCP 781155	Ecc. roller frame assy (RH)	1
44	HCP 781226	Ecc. roller frame assy (LH) (Includes item Nos. 6, 7, 8, 9, 26, 37, 38, 39, 40, 41, 42, 43)	1

6 Bat Parts Listing

Not All Parts May Be Available

ITEM	PART NO.	DESCRIPTION	QTY USED
1	HCP 480857	Spider plate (for 6" center)	3 or 4
1	HCP 481055	Spider plate (for 8" center)	4 or 5
2	HCP 480856	Eccentric spider plate	2
3	HCP 780193	Reel arm	18, 24, or 30
4	HCP 780193	Eccentric reel arm	12
5	HCP 480750	Eccentric Control ring	2
6	HCP 781119*	Eccentric roller frame	2
6A	HCP 780690**	Eccentric roller frame	2
7	HCP 243340	Super oilite bearing (1 3/4" OD x 1 9/16" ID x 1 1/2")	4
8	HCP 481066*	Spacer	2
9	HCP 481067*	Eccentric slot adjustment plate	2
9A	HCP 780100**	Eccentric adjustment plate	2
10	HCP 243330	Ball bearing roller	6
11	HCP 214430	Special flat washer (2 1/4" OD x 1 5/8" ID x 11 ga.)	4
12	HCP 781055	Lock collar w/set screws	2
12	HCP 781055	Lock collar w/set screws	2
13	HCP 243310	Bearing cap	30, 36, or 42
14	HCP 243320	Bearing base	30, 36, or 42
15	HCP 204110	U-bolt (1/4" - 20 UNC x 1 7/8")	30, 36, or 42
16	HCP 212111	Lock nut (1/4" - 20 NC)	60, 72, or 84
17	HCP 480056	Bat tine	
18	HCP 480057	Tine clip	
19	HCP 213044	Tubular rivet (3/16" x 1")	
20-21	HCP 780110	Auxiliary pickup finger assy. (LH)	6
20	HCP 481088	Auxiliary tine (LH)	6
21	HCP 780160	Finger strap	12
22	HCP 481087	Auxiliary tine (RH)	6

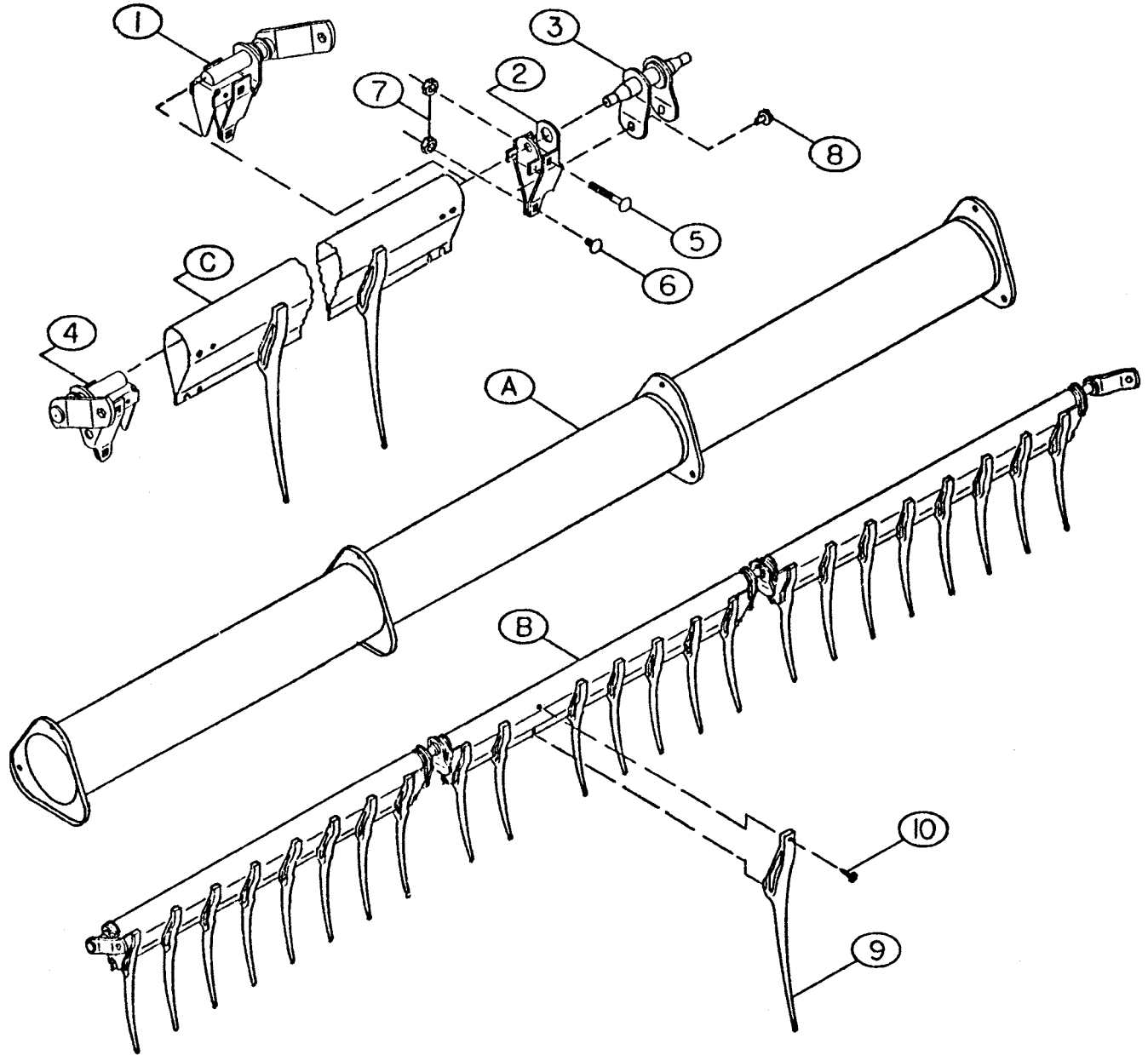
ITEM	PART NO.	DESCRIPTION	QTY USED
21-22	HCP 780120	Auxiliary pickup finger assy (RH)	6
23	HCP 204101	Hex shank bolt (1/2" - 20 NF x 2 1/2")	12
24	HCP 214420	Tubing spacer	12
25	HCP 212239	Flange lock nut (1/2" - 20 NF)	12
26	HCP 218110	Grease fitting (1/8" - NPT - Str.)	2
27		Hex head bolt (5/16" - 18 NC x 1/2")	78, 96, or 114
28		Hex head bolt (5/16" - 18 NC x 3/4")	12
29		Lock washer (5/16")	90, 108, or 126
30		Hex nut (5/16" - 18 NC)	90, 108, or 126
31		Hex head bolt (3/8" - 16 NC x 3/4")	3, 6, or 9
32		Hex head bolt (3/8" - 16 NC x 1 3/4")	6
33		Short sq. carriage bolt (3/8" - 16 NC x 1")	6
34		Lock washer (3/8")	15, 18, or 21
35		Hex nut (3/8" - 16 NC)	6
36		Hex lock nut (3/8" - 16 NC)	9, 12, or 15
37		Hex head bolt (7/16" - 14 NC x 1 1/4")	4
38		Lock washer (7/16")	4
39		Hex nut (7/16" - 14 NC)	4
40	*	Std. sq. carriage bolt (1/2" - 13 NC x 1 3/4")	2
40A	**	Hex head bolt (1/2" - 13 NC x 1")	2
41	*	Flat washer (1/2")	2
42	**	Lock washer (1/2")	2
43	*	Hex nut (1/2" - 13 NC)	2
44	HCP 781155	Ecc. roller frame assy (RH) (Includes item nos. 7, 8, 9, 10, 27, 40, 41, 42, 43, 44, 45, & 46)	2

*These items are used in conjunction with each other on slot pitch adjustment reels.

**These items are used in conjunction with each other on multiple hole pitch adjustment reels.

HART CARTER / HCC POLYTINE METAL BAT REEL

5 & 6 Bat Parts Listing

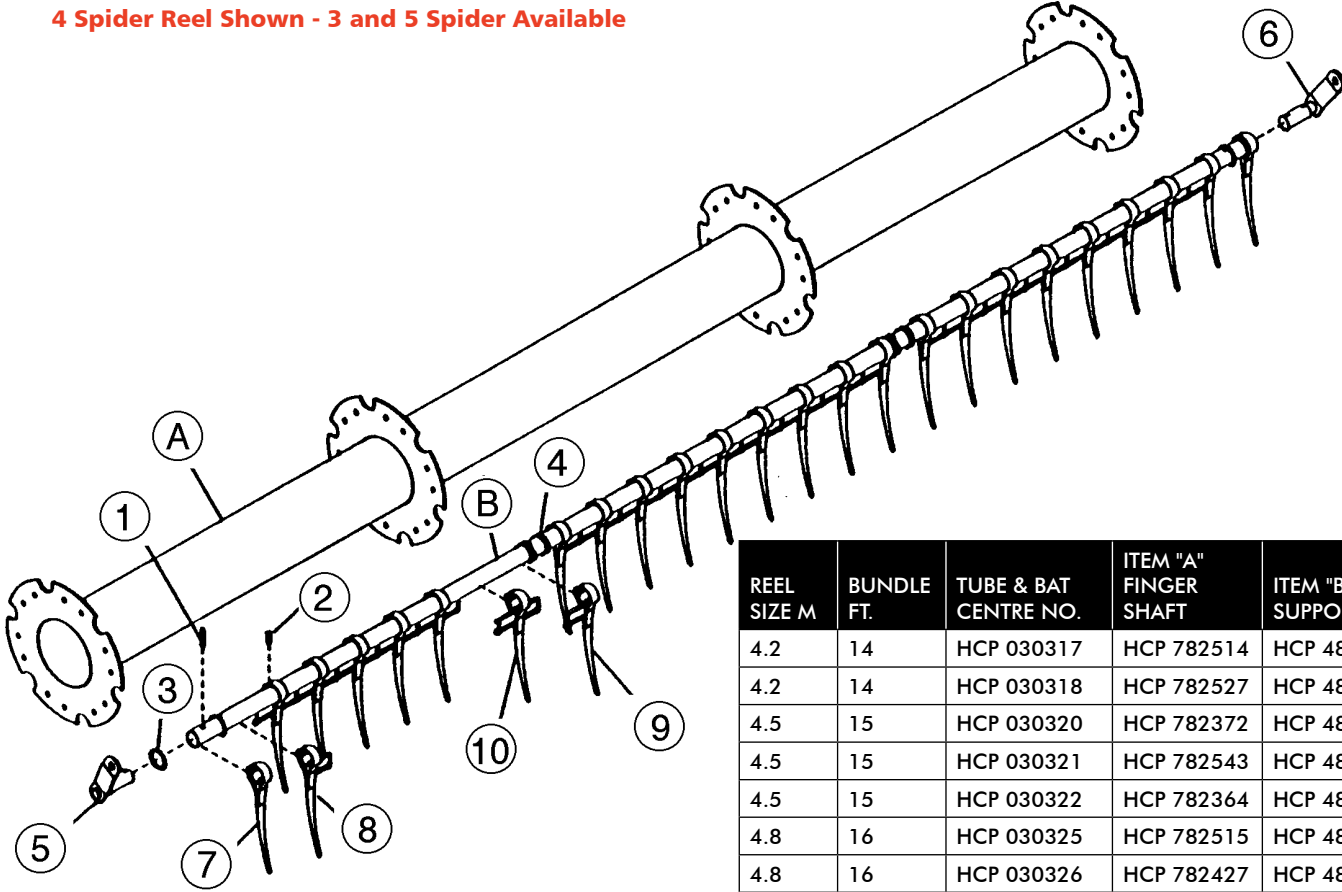


ITEM	PART NO.	DESCRIPTION	QTY USED 5 BAT	QTY USED 6 BAT
1	HCP 781914	Right hand end pivot bracket	5	6
2	HCP 781507	Center spider bat retainer assembly	20 or 30	12, 24, or 36
3	HCP 781506	Center spider pivot bracket	10 or 15	6, 12, or 18
4	HCP 781915	Left hand end pivot bracket	5	6
5		Short square carriage bolt (5/16" - 18 NC x 2 1/2")	30 or 40	24, 36, or 48
6		Short square carriage bolt (5/16" - 18 NC x 5/8")	30 or 40	24, 36, or 48
7		Lock nut (5/16" - 18 NC)	60 or 80	48, 72, or 96
8		Hex flange head lock bolt (5/16" - 24 NF x 5/8")	20 or 30	12, 24, or 36
9	HCP 224012	Plastic reel finger with self tapping screw (HCP208060)		
9	HCP 782018	Pkg of 10 plastic reel finger with self tapping screw (HCP208060)		
10	HCP 208060	Self tapping screw (#8 - 32 NC x 3/4")		

HCC ML REEL BAT PACKAGES

5 Bat Tube, Shaft & Bat Parts Listing

4 Spider Reel Shown - 3 and 5 Spider Available



REEL SIZE M	BUNDLE FT.	TUBE & BAT CENTRE NO.	ITEM "A" FINGER SHAFT	ITEM "B" SUPPORT TUBE
4.2	14	HCP 030317	HCP 782514	HCP 481805
4.2	14	HCP 030318	HCP 782527	HCP 482016
4.5	15	HCP 030320	HCP 782372	HCP 481962
4.5	15	HCP 030321	HCP 782543	HCP 481845
4.5	15	HCP 030322	HCP 782364	HCP 482003
4.8	16	HCP 030325	HCP 782515	HCP 481807
4.8	16	HCP 030326	HCP 782427	HCP 481898
5.1	17	HCP 030330	HCP 782537	HCP 482074
5.4	18	HCP 030332	HCP 782373	HCP 481847
5.4	18	HCP 030333	HCP 782546	HCP 481825
5.4	18	HCP 030334	HCP 782406	HCP 481901
5.7	19	HCP 030337	HCP 782512	HCP 482083
5.7	19	HCP 030338	HCP 782722	HCP 482241
6.0	20	HCP 030340	HCP 782501	HCP 481788
6.3	21	HCP 030344	HCP 782375	HCP 481964
6.3	21	HCP 030345	HCP 782545	HCP 482094
6.3	21	HCP 030346	HCP 782381	HCP 481969
6.6	22	HCP 030348	HCP 782513	HCP 481858
6.6	22	HCP 030350	HCP 782404	HCP 482007
7.2	24	HCP 030357	HCP 782516	HCP 481832
7.2	24	HCP 030358	HCP 782719	HCP 481874
7.5	25	HCP 030360	HCP 782377	HCP 481967
7.5	25	HCP 030361	HCP 782507	HCP 481836
7.5	25	HCP 030362	HCP 782582	HCP 481792
7.8	26	HCP 030366	HCP 782529	HCP 482088
9.0	30	HCP 030380	HCP 782378	HCP 482014
9.0	30	HCP 030381	HCP 782547	HCP 481834
9.0	30	HCP 030382	HCP 782532	HCP 482091

ITEM	PART NO.	DESCRIPTION
1	HCP 216123	Slotted Spring Pin #8
2	HCP 208065	Slotted Hex Washer Head Screw (3.5x1.3x16) (Type AB Thd.)
3	HCP 214551	Special Flatwasher (46 o.d. x35.61 i.d. x2)
4	HCP 214530	Plastic Thrust Washer
5	HCP 782118	LH Crank Arm (for single and double eccentric)
6	HCP 782117	RH Crank Arm (for double eccentric only)
7	HCP 224019	Plastic Finger
8	HCP 224018	Plastic Bat Finger (LH) (Wing Right)
9	HCP 224017	Plastic Bat Finger (RH) (Wing Left)
10	HCP 224016	Plastic Bat Finger

* This number is stencilled on the centre tube.

Continued . . .

HCC ML REEL BAT PACKAGES

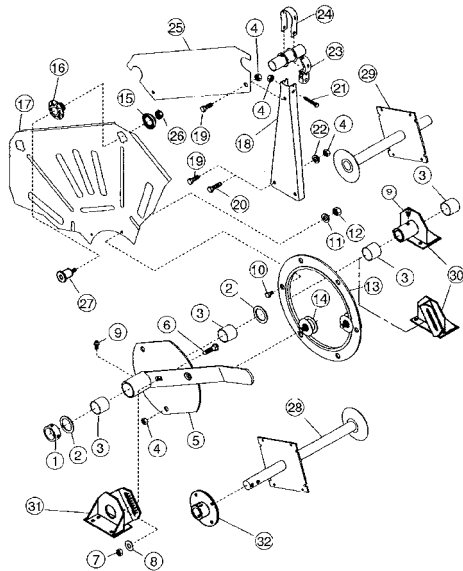
5 Bat Tube, Shaft & Bat Parts Listing

REEL SIZE M	BUNDLE FT.	TUBE & BAT CENTRE NO.	ITEM "A" FINGER SHAFT	ITEM "B" SUPPORT TUBE
3.9	13	HCP 030112	HCP 782269	HCP 481998
3.9	13	HCP 030113	HCP 782272	HCP 482001
4.5	15	HCP 030120	HCP 782457	HCP 481692
4.5	15	HCP 030121	HCP 782183	HCP 481845
4.5	15	HCP 030122	HCP 782274	HCP 482003
4.8	16	HCP 030124	HCP 782275	HCP 482005
4.8	16	HCP 030125	HCP 782156	HCP 481807
4.8	16	HCP 030126	HCP 782427	HCP 481898
5.1	17	HCP 030130	HCP 782499	HCP 482074
5.1	17.5	HCP 030131	HCP 782178	HCP 481841
5.4	18	HCP 030132	HCP 782185	HCP 481847
5.4	18	HCP 030133	HCP 782158	HCP 481825
6.0	20	HCP 030140	HCP 782128	HCP 481788

REEL SIZE M	BUNDLE FT.	TUBE & BAT CENTRE NO.	ITEM "A" FINGER SHAFT	ITEM "B" SUPPORT TUBE
6.0	20	HCP 030141	HCP 782161	HCP 481827
6.0	20	HCP 030142	HCP 782315	HCP 481903
6.6	22	HCP 030148	HCP 782228	HCP 481858
6.6	22	HCP 030149	HCP 782163	HCP 481829
6.6	22	HCP 030150	HCP 782278	HCP 482007
6.6	22.5	HCP 030151	HCP 782175	HCP 481838
7.2	24	HCP 030056	HCP 782281	HCP 482009
7.2	24	HCP 030057	HCP 782165	HCP 481832
7.2	24	HCP 030058	HCP 782283	HCP 482012
7.5	25	HCP 030061	HCP 782173	HCP 481836
7.5	25	HCP 030062	HCP 782131	HCP 481792
8.1	27	HCP 030069	HCP 782455	HCP 482051
9.0	30	HCP 030080	HCP 782285	HCP 482014
9.0	30	HCP 030081	HCP 782171	HCP 481834

* This number is stenciled on the centre tube

HCC ML REEL ATTACHING PACKAGES



Item	Part No.	Description
1	CALL	Lock Collar with Set Screws
2	HCP 214430	Special Flat Washer (2 1/4" o.d.x1 5/8" i.d.x11 ga.)
3	HCP 243340	Super Oilite Bearing (1 3/4" o.d.x1 9/16" i.d.x1 1/2")
4	HCP 212412	Hex Lock Nut (M10x1.5)
5	HCP 782351	Roller Frame (item #3 not incl.)
6	HCP 201145	Carriage Bolt (M12x1.75x40)
7	HCP 212404	Hex Nut (M12x1.75)
8	HCP 214244	Belleville Washer (M12)
9		Grease Fitting (1/8" NPT) (Straight)
10	HCP 202861	Hex Head Bolt (M8x1.25x20)

Item	Part No.	Description
11	HCP 214232	Lockwasher (M8)
12	HCP 212402	Hex Nut (M8x1.25)
13	CALL	Eccentric Control Ring
14	HCP 243719	Ball Bearing Roller
15	HCP 243721	Eccentric Bearing (Female)
16	HCP 243720	Eccentric Bearing (Male)
17	CALL	Eccentric End Shield
18	HCP 481775	Reel Arm
19	HCP 202807	Hex Head Bolt (M10x1.5x25, 8.8)
20	HCP 202808	Hex Head Bolt (M10x1.5x30, 8.8)
21	HCP 202812	Hex Head Bolt (M10x1.5x50, 8.8)
22	CALL	Lockwasher (M10)
23	HCP 243714	Reel Arm Bearing
24	HCP 481776	Bearing Strap
25	CALL	End Shield (Single Eccentric Only)
26	HCP 212404	Hex Nut (M12x1.75)
27	HCP 204800	Metric Socket Head Shoulder Screw
28	CALL	Driving End Shaft (3.9m - 6.0m)
	CALL	Driving End Shaft (6.3m - 9.0m)
29	CALL	Driven End Shaft (3.9m - 6.0m)
	CALL	Driven End Shaft (6.3m - 9.0m)
30	CALL	RH End Bracket
	CALL	RH End Bracket
31	CALL	LH End Bracket
32	CALL	Drive Support Hub

HCC INTERCHANGE

Agco Allis

Agco Allis No.	HCC No.	Description
N/A	780120	LH P/U Finger Aux Assy
N/A	780110	RH P/U Finger Aux Assy
520275	480057	Tine Cup
920114	212111	Lock Nut
1127204	480056	Steel Tine
1129508	481087	RH P/U Finger Aux
1129509	481088	LH P/U Finger Aux
1129543	204101	Bolt 1/2x2 1/2 Shoulder
1136185	480750	Eccentric Ring
1141246	204110	U Bolt
1141247	243310	Bearing Cap
1141248	243320	Bearing Base
1141303	211420	Spacer
1141320	243340	Bushing
1171981	780189	Arm
1345313	781506	Centre Spider Pivot Bracket
1345314	781507	Centre Spider Bat Retainer Assy
1345315	781915	RH End Pivot Bracket
1345316	781914	LH End Pivot Bracket

John Deere

CASE/IH No.	HCC No.	Description
AE24403	243340	Roller
AH122157	781915	LH Bracket
AH122158	781914	RH Bracket
AH122159	781506	Centre Spider Pivot Bracket
AH122160	781507	Centre Spider Bracket Retainer
AH97207	780189	Reel Arm
AH97217	780120	RH Aux Finger Assy Pick UA
AH97218	780110	LH Aux Finger Assy Pick UA
E40203	204110	U Bolt
E40205	243310	Bearing Cap
E40206	243320	Bearing Base
E45229	212111	Lock Nut
E59585	204101	Bolt
H127053	224012	Reel Tine
H33316	480056	Tine - Steel
H33317	480057	Tine - Clip
H33332	481087	Finger Aux RH
H33333	481088	Finger Aux LH
H89200	211420	Spacer
H98693	480750	Eccentric Ring 6 Bat

CASE/IH

CASE/IH No.	HCC No.	Description
167605C91	780110	RH Aux Finger Tine
167606C91	780120	LH Aux Finger Assy
167651C1	481087	LH Aux Finger Tine
167652C1	481088	Spacer Aux Tine
167654C1	780189	Reel Arm
167661C1	480750	Eccentric Ring
167666C1	243340	Bushing
1970581C1	781914	RH End Pivot Bracket
1970582C1	781915	LH End Pivot Bracket
1970583C1	781506	Centre Spider Pivot Bracket
1970584C1	781507	Centre Spider Bat Retainer
592616R1	480057	Steel Tine Clip Tine
598171R1	480056	Bolt 1/2x2 1/2 Shank
598234R1	243320	Reel Arm
598235R1	243310	Reel Arm Bearing
598236R1	204110	Bearing Cap
598246R1	211420	Lock Nut
827385C1	204101	RH Aux Finger Assy
273924	212111	U Bolt

NEW HOLLAND

New Holland No.	HCC No.	Description
167928	204101	Bolt 1/2x2 1/2 for Aux Tine
167929	204110	U Bolt
167933	211420	Spacer
167935	481087	Aux Pickup Tine RH
167936	481088	Aux Pickup Tine LH
167937	243310	Bearing Cap
167938	243320	Bearing Base
167940	243340	Bushing
167945	480056	Bat Tine
167946	480057	Tine Clip
167953	480750	Eccentric Rivet
167966	780189	Reel Arm
756027	781506	Centre Spider Pivot Bracket
786026	781507	Centre Spider Bat Retainer Assy
786028	781915	LH End Pivot Bracket
786029	781914	RH End Pivot Bracket

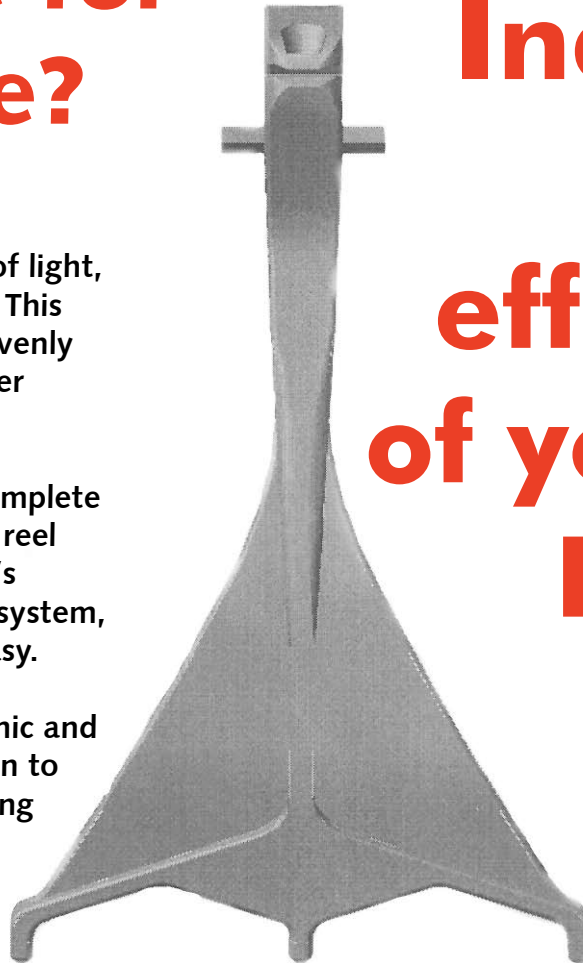
HCC PADDLE TINES

Is it Tine for a Change?

The Paddle is a tine replacement system that increases harvest yields of light, short, or specialty crops. This unique design lifts and evenly feeds crop into the header that standard tines miss.

The Paddle provides a complete header sweep with each reel rotation. Thanks to HCC's patented tine mounting system, installation is fast and easy.

The Paddle is the economic and "common sense" solution to your customer's harvesting challenges.



Increase the efficiency of your HCC Reel!

"From real people... come reel products."

Call today and find out how you can profit from the latest innovation in harvesting technology.

RECOMMENDED "PADDLE" REQUIREMENTS

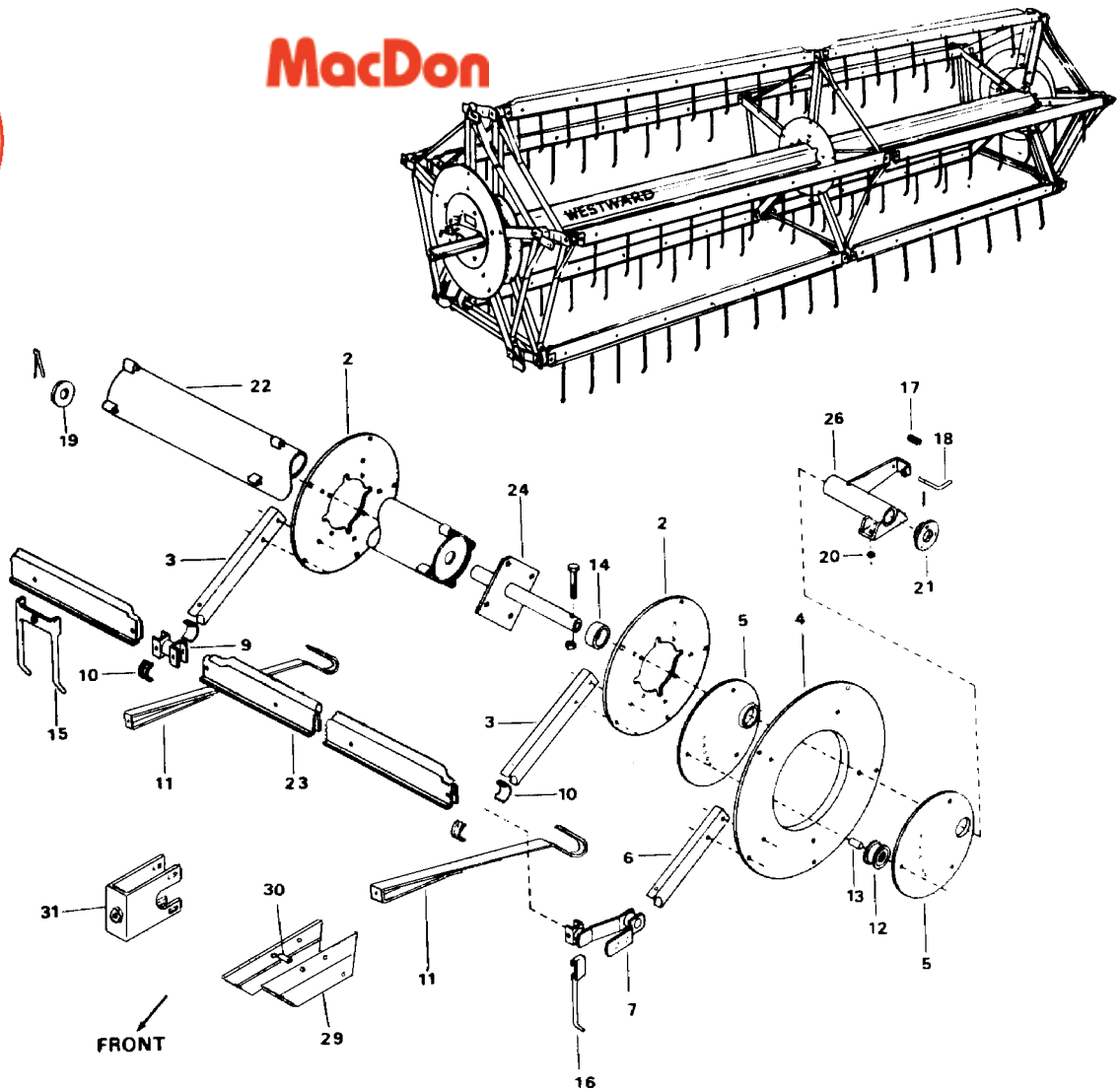
PACKED IN BOXES OF 10 PADDLES & SCREWS

TINE SPACING	REEL WIDTH					PART NO.
	10'	20'	25'	30'	36'	
4.5" (ML REEL)	40	40	50	60	N/A	TIN 783845 (ML)
6.0" (LII REEL)	30	40	40	50	60	TIN 783846 (LII)

MACDON ORIGINAL STYLE PICK-UP REPAIR PARTS



MacDon



REF.	PART NO.	DESCRIPTION
2	MDR 11439	Reel arm disc (5" dia. main tube)
	MDR 23191	Reel arm disc (7" dia. main tube)
3	MDR 15208	Reel arm (oak) 15 1/4 lg.
4	MDR 15211	Cam Control disc
5	MDR 15565	Cam plate
6	MDR 15210	Cam arm (oak) 12 3/4 lg.
7	MDR 17030	L/H control arm
8	MDR 17031	R/H control arm
9	MDR 17033	Center journal
10	MDR 16981	Bearing (1/2 shell)
11	MDR 15207	Bearing strap 26 lg.
12	MDR 15060	Cam roller (nylon)
13	MDR 15059	Spacer bushing (5/pkg.) 5/8 ODx1 5/16 lg.
14	MDR 15786	Spacer 2 IDx29/32 lg.
15	TIN WP11472	Finger (double)
16	MDR 15945	Finger (single)
17		Spring (no longer available)

REF.	PART NO.	DESCRIPTION
18		Use MDR23370 & MDR15380
19	MDR 8395	Flatwasher 1 11/16 IDx3 ODx1/8 thk
	MDR 13783	Flatwasher 1 5/16 IDx2 1/4 ODx1/8 thk
		Flatwasher 1 7/16 IDx3 ODx1/8 thk
		Flatwasher 1 9/16 IDx3 ODx1/8 thk
	MDR 10254	Flatwasher 1 5/16 IDx2 1/4 ODx1/4 thk
	MDR 19681	Flatwasher 1 9/32 IDx2 ODx1/16 thk
20	MDR 17377	Spacer 5/8 ODx3/16 lg.
21	MDR 17087	Hub - reel pulley (4 holes)
	MDR 20887	Hub - reel pulley (3 holes)

NOTE: FOR REELS 18' AND LONGER - 5" dia. main tube with center disc 11439 is interchangeable with same length 7" dia. main tube with center disc 23191.

Continued . . .

MACDON ORIGINAL STYLE PICK-UP REPAIR PARTS (Con't)

REF.	PART NO.	DESCRIPTION
22	MDR 23177	Reel tube (7") 22 ft. 244 1/4 lg.
	MDR 23355	Reel tube (7") 22 ft. 248 1/4 lg.
	MDR 20292	Reel tube - Use 23177 w/23191
		Call for other sizes - may be available
23	MDR 15470	Reel bat (finger type) 62.63 lg.
	MDR 20492	Reel bat (finger type) 76.13 lg.
	MDR 23237	Reel bat (finger type) 80.08 lg.
	MDR 15473	Reel bat (finger type) 86.63 lg.
23	MDR 20531	Reel bat (finger type) 106.13 lg.
	MDR 15807	Reel bat (finger type) 110.63 lg.
		Call for other sizes - may be available

WFE 501, 601, IHC 75, MF35, FORD641, RENN1000, MD "PRAIRIE MAC", JD580, NH109

24	MDR 15486	L/H Reel end
25	MDR 16886	R/H Reel end
26	MDR 15482	L/H Main bearing
27	MDR 15484	R/H Main bearing

MF655, 755, RENN2000, CCIL550, WFE6200, NEW HOLLAND 1090, MD "HYDRO MAC"

24	MDR 20881	L/H Reel end
25	MDR 20882	R/H Reel end
26		L/H Main bearing (no longer available)
27	MDR 20885	R/H Main bearing

MF36

24	MDR 17393	L/H Reel end
25		R/H Reel end (no longer available)
26	MDR 17392	L/H Main bearing
27	MDR 17389	R/H Main bearing

MF310, 410, 510, 750, 760

24	MDR 17003	L/H Reel end
24		L/H Reel end (20 ft. only) (no longer available)
25	MDR 16886	R/H Reel end
25	MDR 23452	R/H Reel end (20 ft.)
26	MDR 17062	L/H Main bearing
27	MDR 17061	R/H Main bearing
29	MDR 19848	Riser - Reel arm
30	MDR 4267	Spacer (on L/H riser only) 3/4 ODx15/16 lg.
	MDR 20021	Spacer 3/4 ODx1.09 lg.
		Spacer 3/4 ODx1.22 lg.

VERSATILE 10, 103, 330, 400, 4400

24	MDR 17089	L/H Reel end
25	MDR 17071	R/H Reel end
26	MDR 17069	L/H Main bearing
27	MDR 17070	R/H Main bearing

Note: Some tubes & bats are no longer available.

NEW HOLLAND 903

REF.	PART NO.	DESCRIPTION
24	MDR 16891	L/H Reel end
25		R/H Reel end (no longer available)
26		L/H Main bearing (no longer available)
27	MDR 17128	R/H Main bearing

IHC175, 210

24		L/H Reel end (no longer available)
25		R/H Reel end (no longer available)
26	MDR 15475	L/H Main bearing
27		R/H Main bearing (no longer available)

IHC230, 275, 375, 4000

24	MDR 20443	L/H Reel end
25	MDR 16886	R/H Reel end
26	MDR 20446	L/H Main bearing
27	MDR 20447	R/H Main bearing

CCIL WINDROWER (MODEL PRIOR TO 550)

24	MDR 15884	L/H Reel end
25	MDR 16886	R/H Reel end
26		L/H Main bearing (no longer available)
27	MDR 15882	R/H Main bearing

HESSTON 420, 520

24	MDR 20882	L/H Reel end
25	MDR 23270	R/H Reel end
26	MDR 23271	L/H Main bearing
27		R/H Main bearing (no longer available)

HESSTON 6450

24	MDR 15795	L/H Reel end
25	MDR 15662	R/H Reel end
26		L/H Main bearing (no longer available)
27	MDR 15784	R/H Main bearing

JOHN DEERE 780, 880, 800, 830

24	MDR 20627	L/H Reel end
25	MDR 20631	R/H Reel end
26	MDR 20629	L/H Main bearing
27	MDR 20632	R/H Main bearing

JOHN DEERE 2320 & 2420

24	MDR 16886	L/H Reel end
25		R/H Reel end (no longer available)
26	MDR 23302	L/H Main bearing
27	MDR 23303	R/H Main bearing

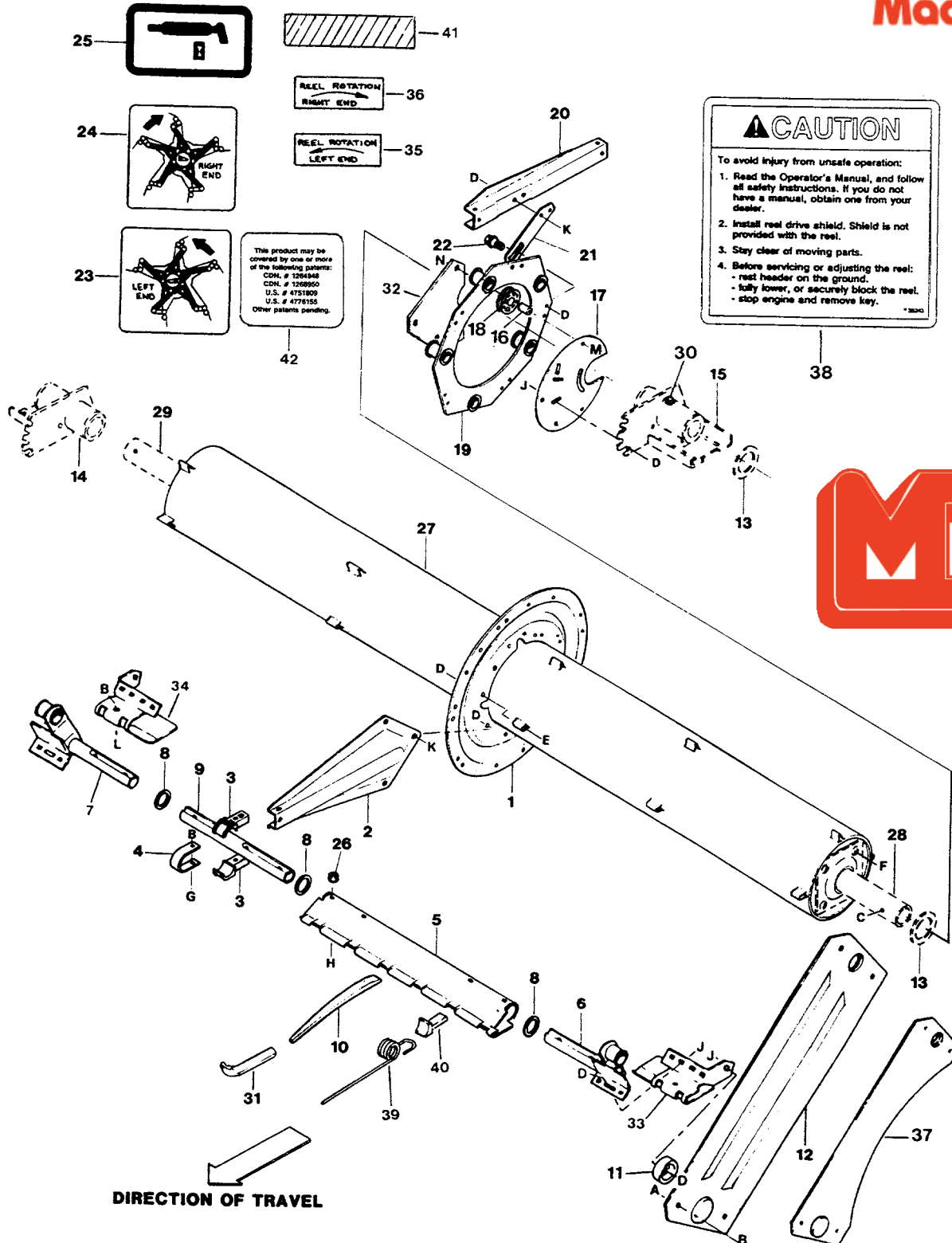
JD2360, MF885, WH6400

24	MDR 20631	L/H Reel end
25	MDR 26902	R/H Reel end
26	MDR 26887	L/H Main bearing
27	MDR 26888	R/H Main bearing

MACDON 2000 REPAIR PARTS

For Reels with Serial No. 70213 and up

(Call if Earlier Serial Number)



MACDON 2000 REPAIR PARTS

FOR REELS WITH SERIAL NO. 70213 AND UP - See diagram on previous page...

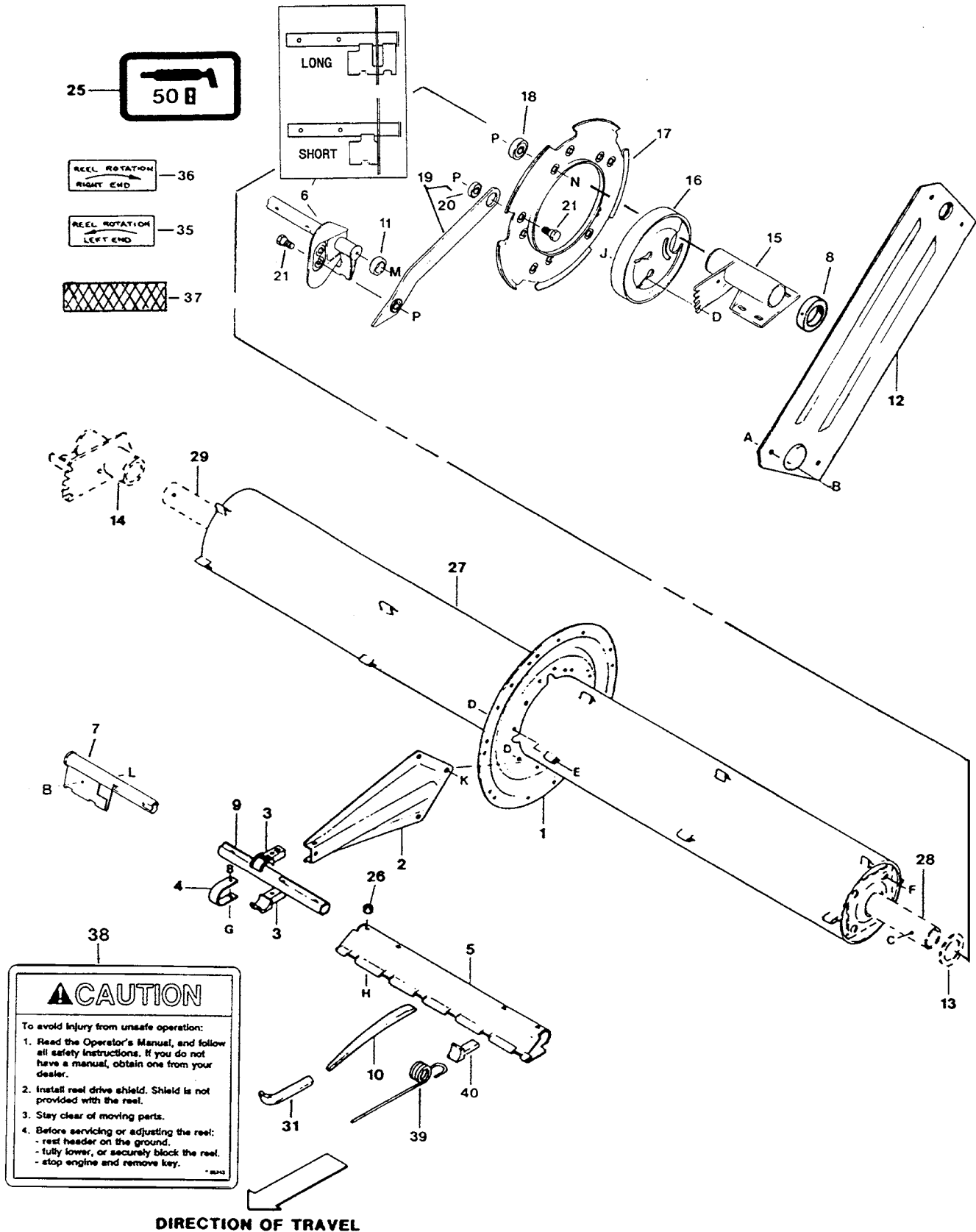
REF.	PART NO.	DESCRIPTION	QTY.	SERIAL NO.
1	MDR 27171	DISC - arm	A/R	
2	MDR 35017	ARM - reel	A/R	
3	MDR 48083	BUSHING - bat	A/R	
4	MDR 27166	STRAP - bearing	A/R	
5	MDR 48008	BAT - reel, approx. 54 inch (1380 mm)	A/R	
	MDR 48009	BAT - reel, approx. 60 inch (1535 mm)	A/R	
	MDR 48010	BAT - reel, approx. 66 inch (1690 mm)	A/R	
	MDR 48011	BAT - reel, approx. 72 inch (1840 mm)	A/R	
6	MDR 35680	CRANK - L/H, reel	A/R	
7	MDR 35681	CRANK - R/H reel	A/R	
8	MDR 16919	WASHER - flat (not req'd with bats w/flanged end)	A/R	70213-371
9	MDR 27984	TUBE - connector, bat	A/R	
10	MDR 27985	FINGER - pick-up	A/R	
11	MDR 48086	BEARING - end shield (optional)	A/R	
12	MDR 48023	SHIELD - end, 5 bat reel (optional)	10	
	MDR 48024	SHIELD - end, 6 bat reel (optional)	12	
13	REF	WASHER - flat, see mounting package	A/R	
14	REF	BEARING - main, R/H - see mounting package	1	
15	REF	BEARING - main, L/H - see mounting package	1	
16	MDR 4150	SPACER - cam roller	6	70372-
17	MDR 35202	PLATE - control (not exactly as shown)	2	70213-371
	MDR 35659	PLATE - control	2	70372-
18	MDR 30268	ROLLER - cam	6	70213-371
	MDR 35688	ROLLER - cam	6	70372-
19	MDR 35655	RING - cam, 5 bat reel	2	70213-371
	MDR 35656	RING - cam, 6 bat reel	2	70213-371
	MDR 35655	RING - cam, 5 bat reel	2	70372-
	MDR 35656	RING - cam, 6 bat reel	2	70372-
20	MDR 35679	ARM - bat control	A/R	
21	MDR 35012	LINK - cam control	A/R	
22	MDR 27647	BOLT - shoulder, special	A/R	
26	MDR 35689	NUT - special, 5/16 inch NC	A/R	
27	REF	TUBE - main, see listing in manual	1	
28	REF	TUBE - end, L/H, see mounting package	1	
29	REF	TUBE - end, R/H, see mounting package	1	
30	MDR 18671	FITTING - lube, 1/4 inch NF	2	
31	MDR 35661	TOOL - finger/adjuster	1	
32	MDR 48020	PLATE - support	2	70372-
33	MDR 35767	BAT - end, L/H	A/R	
34	MDR 35768	BAT - end, R/H	A/R	
37	MDR 35264	SHIELD - end, cut-out (special)	5	
39	MDR 35282	FINGER - pick-up, steel	A/R	
40	MDR 35281	CLIP - steel finger	A/R	
41	MDR 26697	REFLECTOR - amber	2	

Contact Westward Parts or your MacDon 2000 parts catalogue for more information.

MACDON 2000B REPAIR PARTS

For Reels with Serial No. 93000 and up

(Call if Earlier Serial Number)



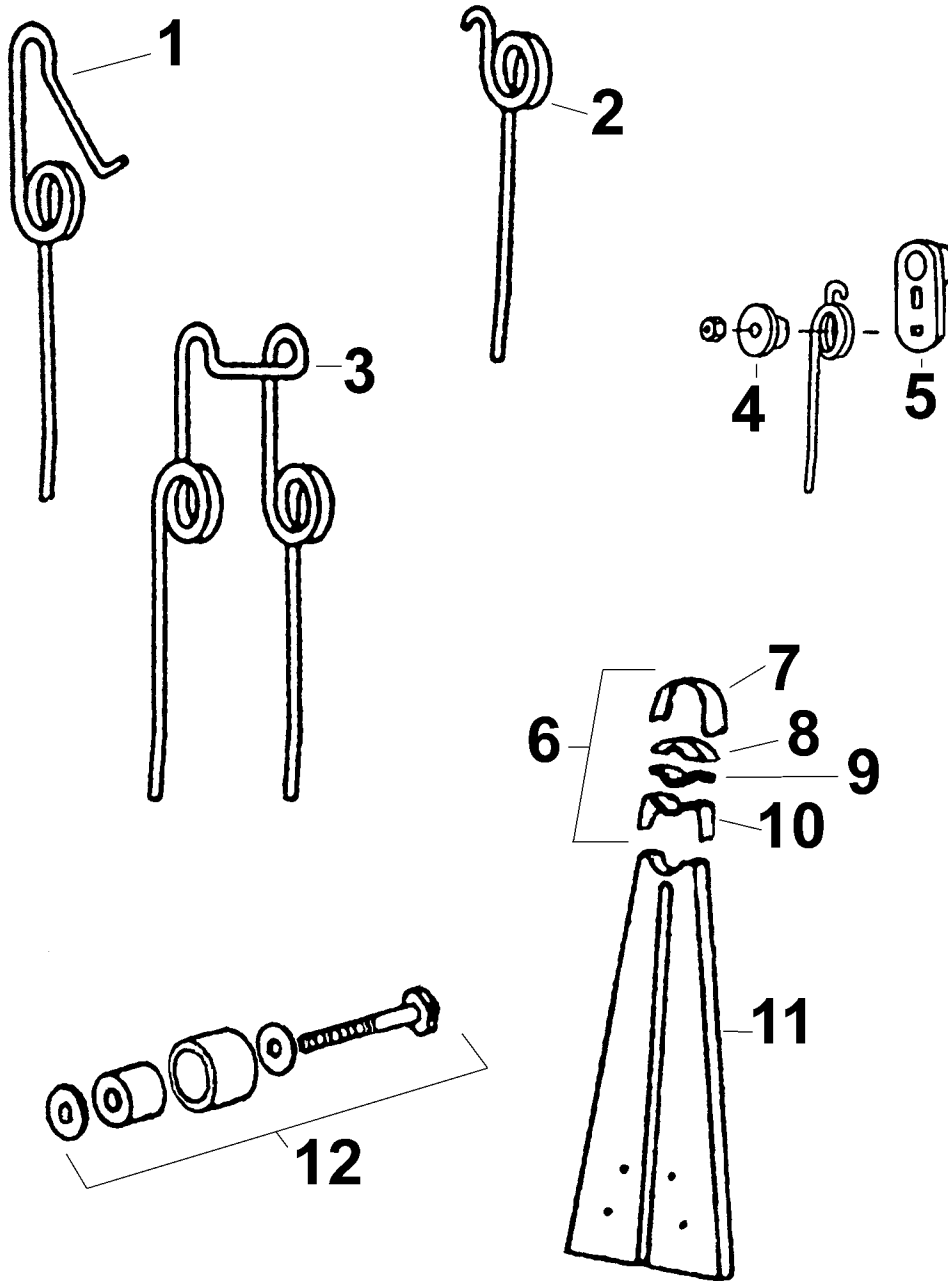
MACDON 2000B REPAIR PARTS

FOR REELS WITH SERIAL NO. 93000 AND UP - See diagram on previous page...

REF.	PART NO.	DESCRIPTION	QTY.	SERIAL NO.
1	MDR 27171	DISC - arm	A/R	
2	MDR 35017	ARM - reel	A/R	
3	MDR 48083	BEARING HALF - bat	A/R	
4	MDR 27166	STRAP - bearing	A/R	
5	MDR 48008	BAT - reel, approx. 54 inch (1380 mm)	A/R	
	MDR 48009	BAT - reel, approx. 60 inch (1535 mm)	A/R	
	MDR 48010	BAT - reel, approx. 66 inch (1690 mm)	A/R	
	MDR 48011	BAT - reel, approx. 72 inch (1840 mm)	A/R	
6	MDR 48070	CRANK - L/H, long	A/R	
	MDR 48071	CRANK - R/H, long	A/R	
	MDR 48128	CRANK - L/H, short	A/R	
	MDR 48129	CRANK - R/H, short	A/R	
7	MDR 48095	BAT - INBOARD END, L/H reel - 36' 960 Header only	5	-124499
	MDR 48135	BAT - INBOARD END, L/H reel - 36' 962 Header only	5	
	MDR 48096	BAT - INBOARD END, R/H reel - 36' 960 Header only	5	-124499
	MDR 48136	BAT - INBOARD END, R/H reel - 36' 962 Header only	5	
8	REF	COLLAR - shaft, see mounting packages	A/R	
9	MDR 27984	TUBE - connector, bat	A/R	
10	MDR 27985	FINGER - pick-up, plastic	A/R	
11	MDR 48086	BEARING - end shield (was 35660)	A/R	
12	MDR 48023	SHIELD - end, 5 bat reel	10	
	MDR 48024	SHIELD - end, 6 bat reel	12	
13	REF	WASHER - flat, see mounting package	A/R	
14	REF	SUPPORT R/H - see mounting package	1	
15	REF	SUPPORT L/H - see mounting package	1	
16	MDR 48065	CAM TRACK	2	
17	MDR 48058	RING- cam, L/H, 5 bat reel	1	
	MDR 48059	RING- cam, R/H, 5 bat reel	1	
	MDR 48060	RING- cam, L/H, 6 bat reel	1	
	MDR 48061	RING- cam, R/H, 6 bat reel	1	
18	MDR 50184	BEARING - ball	A/R	
19	MDR 48051	ARM - cam	A/R	
20	MDR 50185	BEARING - ball	A/R	
21	MDR 48050	BOLT - shoulder, special	A/R	
25	MDR 23165	DECAL - 50 hour grease	2	
26	MDR 35689	NUT - special, 5/16 inch NC	A/R	
27	REF	TUBE - main, see listing in manual	1	
28	REF	TUBE - end, L/H, see mounting package	1	
29	REF	TUBE - end, R/H, see mounting package	1	
31	MDR 35661	TOOL - finger/adjuster	1	
35	MDR 35396	DECAL - reel rotation, left	3	
35	MDR 35397	DECAL - reel rotation, right	3	
37	MDR 115146	DEFLECTOR - amber(was 26697)	2	
38	MDR 35243	DECAL - CAUTION, general safety	2	
39	MDR 35282	FINGER - Pickup, steel	A/R	
40	MDR 35281	CLIP - steel finger	A/R	

Contact Westward Parts or your MacDon 2000 parts catalogue for more information.

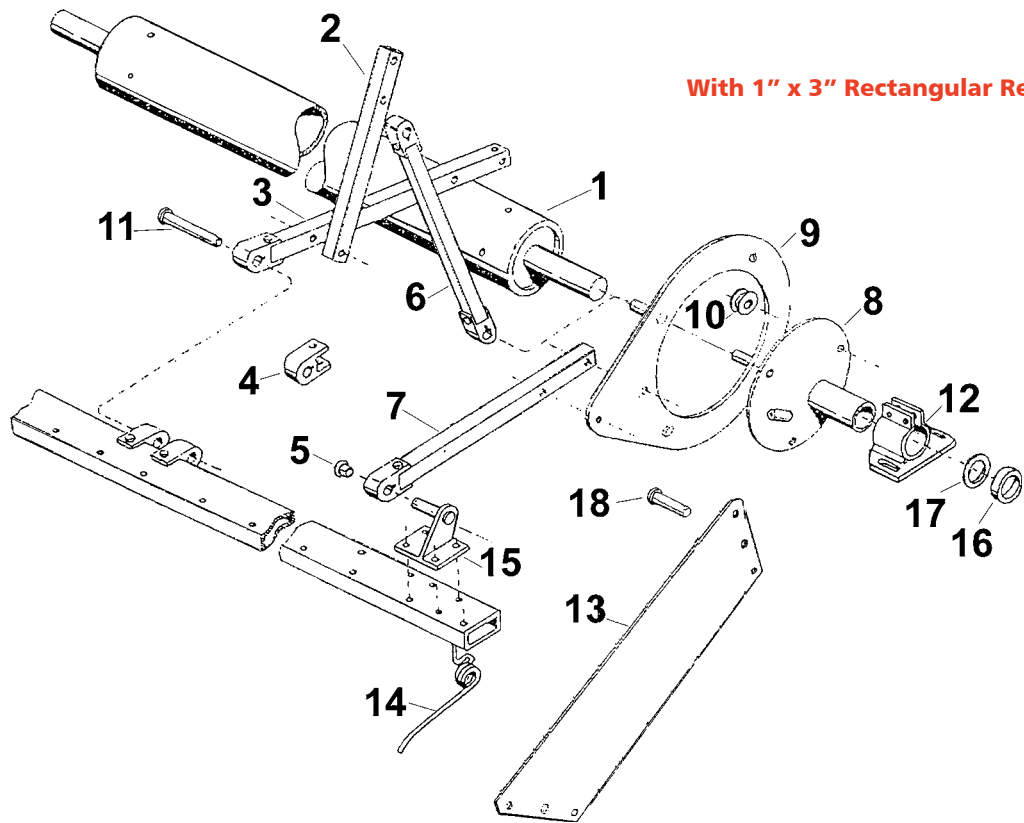
UNIVERSAL PROFITEER WOOD BAT REEL



ITEM	PART. NO.	DESCRIPTION
1	URC C56R	Snap Lock Finger
2	URC C7BR	Left Finger, 9" overall length
	URC C7CR	Right Finger, 9" overall length
	URC C8R	Left Finger, 11" overall length
	URC C8AR	Right Finger, 11" overall length
3		Double Finger - No longer available
4	URC C7D	Shoulder Bushing
5	URC C7G	Tine Bracket

ITEM	PART. NO.	DESCRIPTION
6	URC PRB7C	Reel Arm Bearing Cap Assembly
7	URC PRB7A	Bearing Cap
8	URC PRB8A	Bearing Half Upper
9	URC PRB8	Bearing Half Lower
10	URC PRB9	Bearing Retainer
11		Reel Arm - No longer available
12	URC PRD2CA	Roller Assembly

UNIVERSAL SERIES I REEL



With 1" x 3" Rectangular Reel Bats

ITEM	PART. NO.	DESCRIPTION
1	Centre Tube	Specify Machine Size, Make & Model
2	URC 118-2	Short Arm, 5 bat reel, 6" centre tube, 18" long*
	URC 118-4	Short Arm, 5 bat reel, 8" centre tube, 18" long*
	URC 118-6	Short Arm, 6 bat reel, 6" centre tube, 18" long*
	URC 118-8	Short Arm, 6 bat reel, 8" centre tube, 18" long*
3	URC 118-1	Long Arm, 5 bat reel, 6" centre tube, 21" long*
	URC 118-3	Long Arm, 5 bat reel, 8" centre tube, 21" long*
	URC 118-5	Long Arm, 6 bat reel, 6" centre tube, 21" long*
	URC 118-7	Long Arm, 6 bat reel, 8" centre tube, 21" long*
4	URC 136	Arm & Bat Bearing Cap
5	URC 137	Package of 25 Bearing Inserts
6	URC 114	Regular Control Arm, 13.75" long*
7	URC 116	Fixed Control Arm, 14.75" long*
8	URC 165	Left or Right Control Plate Weldment
9	URC 129-2	Right Hand Control Ring, 5 bat
	URC 129-4	Right Hand Control Ring, 6 bat
	URC 129-1	Left Hand Control Ring, 5 bat
	URC 129-3	Left Hand Control Ring, 6 bat
10	URC 130	Control Ring Roller Bearing
11	URC 127	Long Clevis Pin (Reel Arm to Reel Bat)
12	URC 169	Control Mechanism Mounting Clamp
13	URC SHIELD	End Shield Section, 5 bat
	URC 266	End Shield Section, 6 bat

ITEM	PART. NO.	DESCRIPTION
14	URC 112	Wire Finger - Grain w/1" hook tab
	URC 111	Wire Finger - Rice
15	URC 135	Right Bat Crank
	URC 134	Left Bat Crank
16	URC 138	Centre Shaft Lock Collar
17	URC 149	Centre Shaft Washer
18	URC 128	Short Clevis Pin (Reel End Shield)

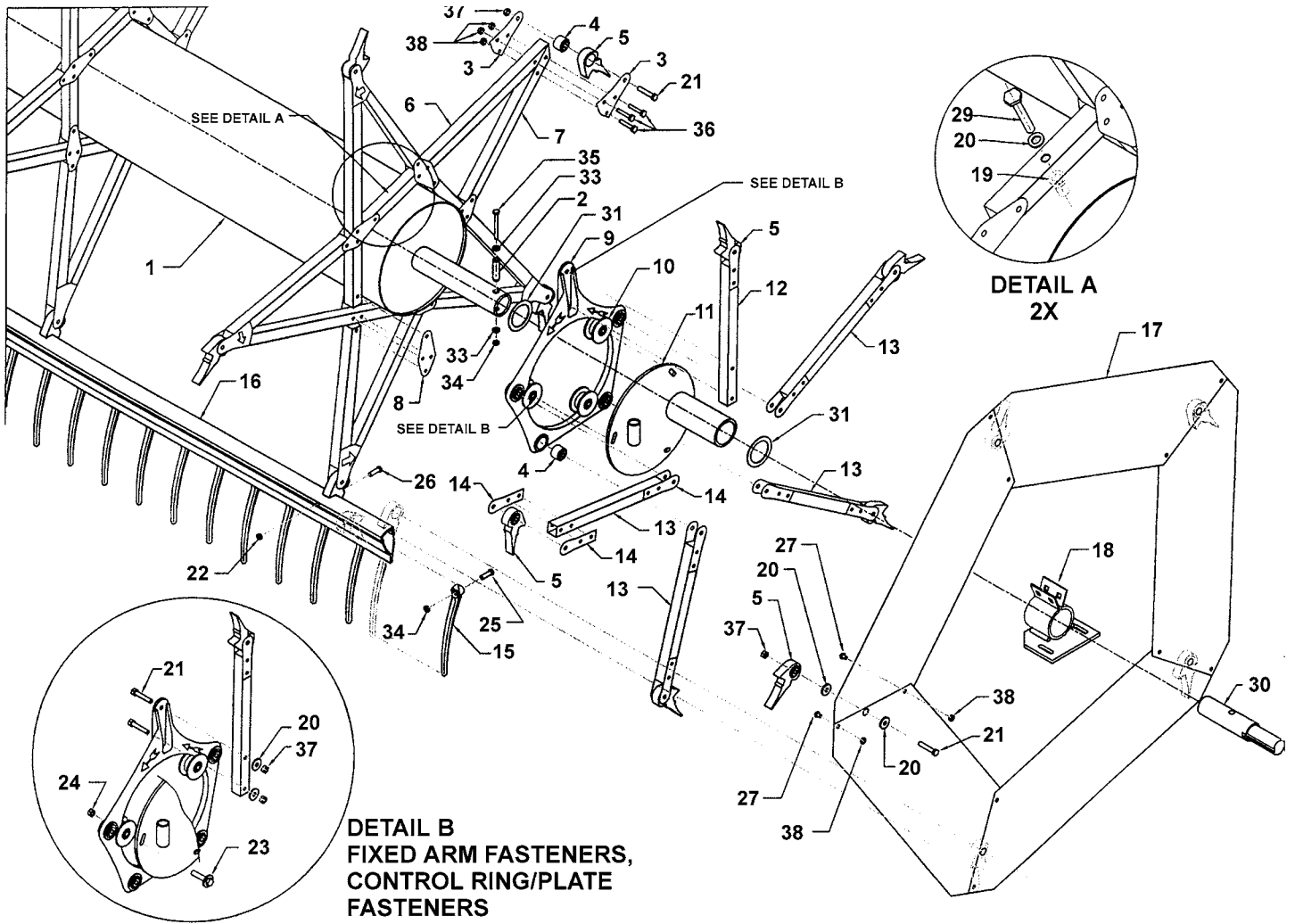
Parts Not Illustrated

	URC 150	Package of 25 Cotter Pins (bat mounting)
	URC 300	Screw For Plastic Tooth
	URC 306	1/4" x 3/4" Truss Head Screw for Steel Tine
	TIN 491204	1/4" KEPS Nut For Tine and Tooth
	URC 302	5/16" x 1 1/2" Bolt For Bat Bearing Cap
	URC 303	5/16" Lock Nut For Bat Bearing Cap
	URC 304	1/4" x 3/8" Truss Head Screw Fo Shield Bat Specify Machine Size, Make & Model
	URC 31R125	5/16" Rivnut (for centre tube repair)
	URC RIVET	1/4" Rivnut (for centre tube repair)
	URC 177	Shield Mounting Kit (includes bearings, bolts, washers & screws to mount end shields)
	URC 305	5/16"-18 locknut

*Measurement is without ends on arms.

UNIVERSAL SERIES II REEL

With Teardrop Shaped Reel Bats



UNIVERSAL SERIES II REEL (Continued)

With Teardrop Shaped Reel Bats

ITEM	PART. NO.	DESCRIPTION
1	Centre Tube	Specify Machine Make, Model & Size
2	URC 295	Roll Pin 1/2" x 2"
3	URC 225	Tip Plate
4	URC 235	Ball Bearing (replaces 230,231,232)
5	URC 241B	Bearing Holder with Ball Bearing
6	URC 250	Long Arm, 5 bat, 8" tube, 22.25" long*
	URC 252	Long Arm, 5 bat, 10" tube
	URC 254	Long Arm, 6 bat, 10" tube
	URC 260	Long Arm, 6 bat, 8" tube, 21.2" long*
	URC 262	Long Arm, 6 bat, 8" tube
	URC 284	Long Arm, 6 bat, 8" tube
7	URC 251	Brace Arm, 5 bat, 8" tube, 15.38" long*
	URC 253	Brace Arm, 5 bat, 10" tube
	URC 259	Brace Arm, 6 bat, 10" tube
	URC 261	Brace Arm, 6 bat, 8" tube, 14.38" long*
	URC 263	Brace Arm, 6 bat, 8" tube
	URC 285	Outer Brace Arm, 6 bat, 8" tube
	URC 286	Inner Brace Arm, 6 bat, 8" tube
8	URC 213	Inner Plate, 5 bat, 10" tube
	URC 214	Inner Plate, 6 bat, 10" tube
	URC 227	Inner Plate, 5 bat, 8" tube
	URC 228	Inner Plate, 6 bat, 8" tube
	URC 229	Inner Plate, 6 bat, 8" tube
9	URC 245	5 Bat Ring Assembly
	URC 246	6 Bat Ring Assembly
10	URC 290	Control Plate Roller
11	URC 280	Control Plate Assembly
12	URC 255	Fixed Control Arm, 42" dia., 13.62" long*
	URC 257	Fixed Control Arm, 52" dia.
	URC 287	Fixed Control Arm, 84" dia.
13	URC 256	Regular Control Arm, 42" dia., 12.5" long*
	URC 258	Regular Control Arm, 52" dia.
	URC 288	Regular Control Arm, 84" dia.
14	URC 226	End Plate

ITEM	PART. NO.	DESCRIPTION
15	URC 210	Plastic Tine
15	URC 211	#4 Wire Tine
16		Reel Bat - Call with model and size
17	URC 265	5 Bat Shield Section - 42" dia.
	URC 266	6 Bat Shield Section - 42" dia.
	URC 267	6 Bat Shield Section - 52" dia.
	URC 268	6 Bat Shield Section - 84" dia.
18	URC 281	Mounting Clamp Assembly - Regular
	URC 282	Mounting Clamp Assembly - Hesston/Case IH
	URC 283	Mounting Clamp Assembly - CCIL/MF220
19	URC 31R125	5/16" Riv-Nut
20	URC 294	5/16" Special Washer (11/32" x 1")
21	URC 304	5/16" x 1.75 HHCS
22		5/16" 2-Way Lock Nut
23	URC 291	5/16" x 1.75 Flange Head
24		3/8" 2-Way lock Nut
25		1/4" 20 x 1 Hex Head
26		5/16" x 2.75 Hex Head
27		1/4"-20 x 3/8" Truss Head
29	URC 289	5/16" x 13/4" Patch Lock
30		Drive Stub - Call with model
31	URC 293	Shaft Washer
33		1/4" SAE Washer
34		1/4" 20 2 Way Lock Nut
35		1/4" x 2.5 HHCS
36		1/4"-20x 1.5 HHCS
37	URC 305	5/16" Nylon Lock Nut
38		1/4"-20Keps Nut
	URC 230	Shoulder Bushing (use w/231,232)
	URC 232	Bronze Bushing (use w/230,231)
	URC 231	Spacer Tube (use with URC 230,232)

***Measurement is without ends on arms.**

**INTENTIONALLY
BLANK**