

**I N D E X**

**ADJUSTABLE TIPS**  
..... 6-6

**ACCESSORIES FOR HANDGUNS**  
..... 6-11

**COUPLERS**  
..... 6-13

**FIRE HOSE NOZZLE**  
..... 6-11

**HANDGUNS**  
..... 6-11, 6-12, 6-14

**HANDGUN ACCESSORIES**  
..... 6-11

**HANDGUNS (COMPLETE WITH LANCES)**  
Hamilton ..... 6-4  
Hypro Lurmark ..... 6-3  
Lurmark ..... 6-3  
Spraying Systems ..... 6-1 to 6-3, 6-5 to 6-8

**HANDGUN KITS**  
..... 6-10

**HIGH PRESSURE WANDS**  
..... 6-8, 6-11

**LANCES**  
..... 6-8, 6-12

**QUICK COUPLERS**  
..... 6-13

**SHUT OFF VALVES**  
..... 6-7

**TELESCOPING HANDWAND**  
..... 6-9

**TIPS**  
1/8 Female Thread ..... 6-9  
1/4 Female Thread ..... 6-13  
1/4 Male Thread ..... 6-13

**VALVES**  
..... 6-7

**WANDS (LANCES)**  
..... 6-8, 6-12

**WESTWARD PARTS HANDGUN KITS**  
..... 6-10

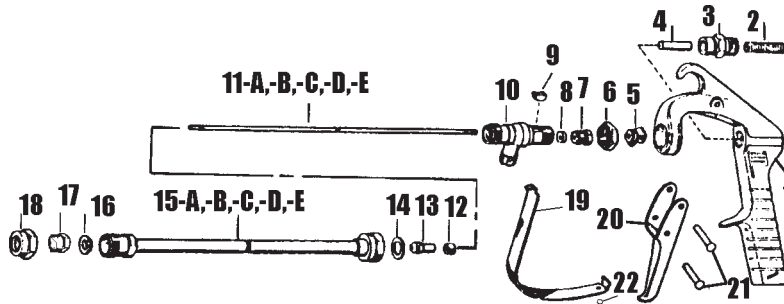
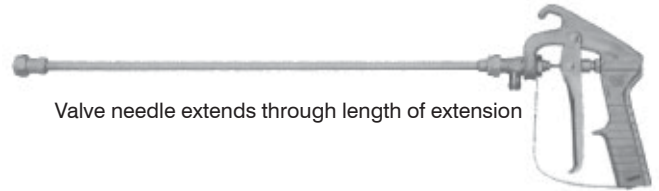
**Spray Gun**

**SPRAYING SYSTEMS NO. AA23L TRIGGER HAND GUN**

- **Maximum Pressure 250 PSI**
- **Shut-off seat at spray tip end**

Note: Gun does not include adjustable tip as shown in picture. Order tip separately on page 6-6

PART NO.	REPLACES	DESCRIPTION
77589	AA23L	Gunjet only
74000	AA23L-7676-8"	Gunjet w/8" extension
74001	AA23L-7676-18"	Gunjet w/18" extension
74002	AA23L-7676-24"	Gunjet w/24" extension
74003	AA23L-7676-36"	Gunjet w/36" extension
74004	AA23L-7676-48"	Gunjet w/48" extension



REF	PART NO.	REPLACES	DESCRIPTION
1	74300	CP16054-1-AL	Body, aluminum
2	See kit*		Spring, 302 stainless steel
3	74301	CP7480-1ZP	Spring screw
4	74302	CP7491-ALEF	Spring stud
5	74303	CP8591-1ZP	Trigger guide
6	74304	CP7486-1ZP	Locknut, steel zinc plated
7	74305	CP16071-NP	Packing screw
8	See kit*		Cup backing, Buna-N
9	74306	CP7892-1ZP	Key
10	74307	CP16052-NP	Inlet body, brass nickel plated
11A	74308	CP7677-8-SS	Stem, stainless steel (for 8" extension)
11B	74309	CP7677-18-SS	Stem, stainless steel (for 18" extension)
11C	74310	CP7677-24-SS	Stem, stainless steel (for 24" extension)
11D	74311	CP7677-36-SS	Stem, stainless steel (for 36" extension)
11E	74312	CP7677-48-SS	Stem, stainless steel (for 48" extension)
12	74313	CP7679-1	Stem guide nut, brass
13	See kit*		Stem end, brass
14	74314	CP4743-TEF	Gasket, teflon
15A	74315 74320	7715-8 13206-8	Extension, brass (for 8" length) Extension assembly, brass (incl. items 11A, 12, 13, 14 & 15A) for 8" length

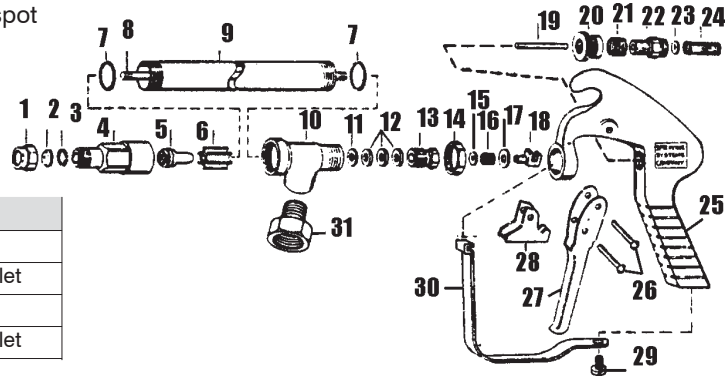
REF	PART NO.	REPLACES	DESCRIPTION
15B	74316 74321	7715-18 13206-18	Extension, brass (for 18" length) Extension assembly, brass (incl. items 11B, 12, 13, 14 & 15B) for 18" length
15C	74317 74322	7715-24 13206-24	Extension, brass (for 24" length) Extension assembly, brass (incl. items 11C, 12, 13, 14 & 15C) for 24" length
15D	74318 74323	7715-36 13206-36	Extension, brass (for 36" length) Extension assembly, brass (incl. items 11D, 12, 13, 14 & 15D) for 36" length
15E	74319 74324	7715-48 13206-48	Extension, brass (for 48" length) Extension assembly, brass (incl. items 11E, 12, 13, 14 & 15E) for 48" length
16	See Kit*		Valve seat, teflon
17			Spray tip (specify type & capacity)
18	72210	CP1325-NP	Cap, brass - nickel plated
19	74327	CP9539-INP	Trigger guard
20	74328	CP14252-INP	Trigger, steel - nickel plated
21	74329	CP8038-IZP	Rivet (2 required)
22	74330	CP9697-INP	Pan head screw
*	74200	AB23-L-7676	Spare parts kit (items marked *)

## Spray Gun

### SPRAYING SYSTEMS NO. AA43H TRIGGER HAND GUN

- Operating Pressure 200 to 800 PSI
- Available in brass or aluminum

Trigger handle control . . . 1/2" NPT female inlet connection . . . for livestock, orchard and nursery spraying . . . field spot spraying and cleaning of barns and equipment.



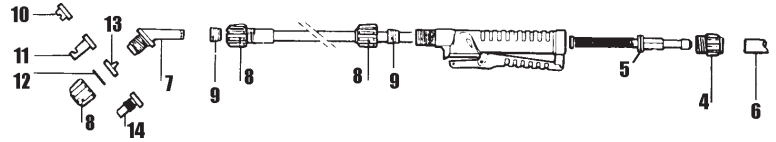
PART NO.	REPLACES	DESCRIPTION
74005	AA43H	23" brass gun, 1/2" NPT inlet
74006	AA43H-AL	23" aluminum gun, 1/2" NPT inlet
74007	AA43HA	14" brass gun, 1/2" NPT inlet
74008	AA43HA-AL	14" aluminum gun, 1/2" NPT inlet

REF	PART NO.	REPLACES	DESCRIPTION	BRASS GUN QTY.	ALUMINUM GUN QTY.
1	72210	CP1325	Cap	1	
1	74332	CP1325-AL	Cap		1
2	72834	D4	Orifice disc, stainless	1	1
3	See kit *		Gasket, nylon	1	1
4	74333	CP10566	Nozzle housing	1	
4	74334	CP10566-AL	Nozzle housing		1
5	See kit*		Seat plug assy.	1	1
6	74335	CP10571	Guide vane	1	
6	74336	CP10571-AL	Guide vane		1
7	74337	CP6943-AL	Gasket, aluminum (2 required)	1	1
8	74338	CP19238-416SS	Stem, stainless steel	1	1
9	74339	CP6604	Tubing	1	
9	74340	CP6604-AL	Tubing		1
10	74429	CP6492	Inlet body, brass	1	
10	74341	CP6492-AL	Inlet body, aluminum		1
11	See kit*		Packing washer, stainless	1	1
12	See kit*		Packing, leather (3 required)	1	1
13	74342	CP19237	Packing screw	1	
13	74343	CP19237-AL	Packing screw		1
14	74344	CP6599	Locknut	1	
14	74345	CP6599-IZP	Locknut		1
15	74346	CP9641-INP	Stem nut, steel -N.P.	1	1
16	74347	CP6595-SS	Trigger stop spring	1	1
17	74348	CP7991-IZP	Washer	1	1
18	74349	CP6597-INP	Trigger guide	1	1
19	74350	CP6591-SS	Spring stud	1	1
20	74351	CP6589-IZP	Stop adjusting nut	1	1
21	74352	CP6594-SS	Spring	1	1
22	74353	CP6588-IZP	Spring screw	1	1
23	74354	CP6592-302SS	Guide washer	1	1
24	74355	CP6593-2-SS	Main spring	1	1
25	74356	CP1447-1-AL	Handle body	1	1
26	74357	CP7623-IZP	Rivet (2 required)	1	1
27	74358	CP6209-INP	Trigger	1	1
28	74359	CP6510-INP	Trigger stop	1	1
29	74360	CP11757-INP	Screw, steel	1	1
30	74361	CP13798-INP	Trigger guard, steel	1	1
31	74362	7029-AL	GHT (F) x 1/2" NPT (M) inlet adapter w/gasket - brass	1	1
	74201	AB43-kit	Spare parts kit - brass (items marked *)	1	
	74202	AB43-AL-kit	Spare parts kit - aluminum (items marked *)		1

**Hypro Lurmark Hand Gun (Parts Only)**

**LIGHTWEIGHT TRIGGER VALVE AND LANCE**

REF	PART NO.	REPLACES	DESCRIPTION
2	74441	1912-042	Handle
4	74443	1912-044	Cap
5	74444	1912-049	O-Ring
6	74445	1912-055	Hose
7	74446	1912-056	Elbow
8	74447	1912-058	Cap
9	74448	1912-062	Grommet
10	80-2NER	1902-347	Fan tip
11	72645	1902-401	Anvil tip
12	74449	1911-213	Disc
13		1911-214	Core (see page 3-27, 3-28)
14	74451	1902-503	Adjustable nozzle



**Spraying Systems No. AA12 & AA18 Brass or Aluminum**



Handle rotates 360° to operate spray gun valve from shut-off to maximum flow position. As handle is turned, spray changes from initial cone spray through intermediate cone spray to straight stream. Corrosion and abrasion resistant hardened stainless steel interchangeable orifice discs. Discs may be purchased separately as desired. Standard tips may also be used with these GunJets.

PART NO.	REPLACES	DESCRIPTION
74009	AA12-6	20" brass gun w/GHT connection
74010	AA12-AL-6	20" aluminum gun w/GHT connection
74011	AA18-AL-6 connection	20" aluminum gun w/1/4" NPTF
74203	PKAB-12-KIT	Repair kit for #12 brass gun
74204	PKAB-12-AL-KIT	Repair kit for #12-AL gun
74205	PKAB-18-AL-KIT	Repair kit for #18-AL gun
72836	D-6	Disc
74332	CP1325-AL	Cap for gun

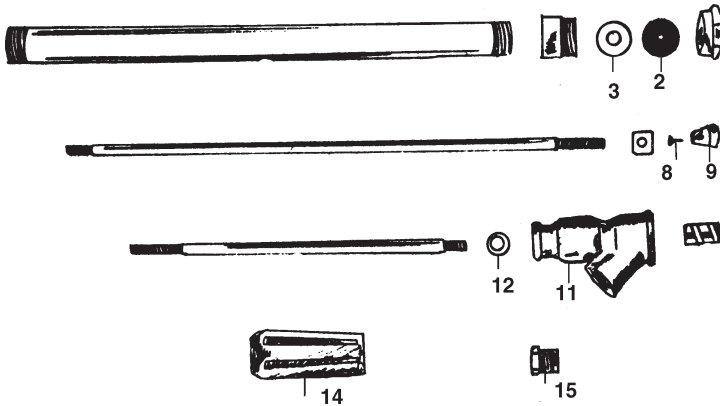
**GunJet No. 12:** length 20" . . . weight 1 3/4 lbs., brass, garden hose connection. Also available in aluminum as GunJet No. 12AL, weight 1 lb.

**GunJet No. 18AL:** length 20" . . . weight 1 lb., aluminum, 1/4" NPT female pipe connection.

## Hamilton "Junior" Handgun

Junior guns are shorter and lighter - easily handled. Ideal for low capacity estate sprayers. #4 disc is standard.

PART NO.	REPLACES	DESCRIPTION
74035	HA1400-1	Brass 18" gun, 1/4" FPT

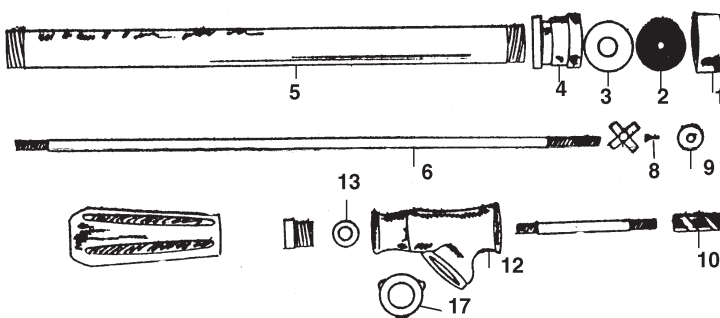


REF	PART NO.	REPLACES	DESCRIPTION
2	74661	1200-007-05	Steel disc
3	See kit*		Shut-off gasket
8	See kit*		Needle point
9	See kit*		Shut-off valve
11	74467	1400-001-01	Stuffing box
12	See kit*		Packing ring
14	74469	8500-052-35	Poly handle
15	74470	1300-005-01	Packing nut
	74220	SPK-1300	Repair kit (items marked *)

## Hamilton "Senior" Handgun

Senior guns are the model of the industry; long and rugged - capable of the various demanding agricultural spray chores in and out of the tractor seat. #5 disc is standard.

PART NO.	REPLACES	DESCRIPTION
74036	HA1000-1	Brass 22" gun, 3/4" GHT
74037	HA1003-2	Aluminum 22" gun, 3/4" GHT



REF	PART NO.	REPLACES	DESCRIPTION
1	74471	1000-003-01	Cap
2	74472	1000-004-05	Steel disc
3	See kit*		Shut-off gasket
4	74473	1000-008-01	Nozzle head
5	74474	1000-011-01	Barrel
6	74475	1000-010-01	Upper valve rod
8	See kit*		Needle point
9	See kit*		Shut-off valve
10	74477	1000-012-01	Worm
12	74479	1000-001-01	Stuffing box
13	See kit*		Packing ring
17	See kit*		Hose gasket
	74221	SPK-1000	Repair kit (items marked *)

**Spraying Systems No. AA143-AL Handgun**

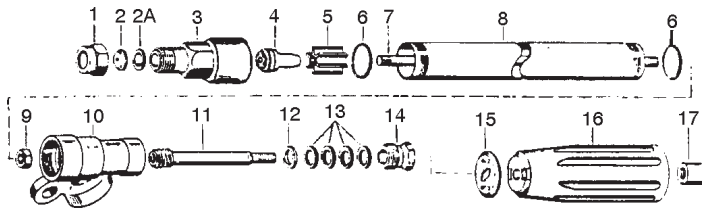


**Maximum Pressure 800 PSI**

**Heavy Duty Type - Rotating Handle Control**

Handle rotates 360° to operate spray gun valve from shut-off to maximum flow position. As handle is turned, spray changes from initial cone spray through intermediate cone spray to straight stream. Corrosion and abrasion resistant hardened stainless steel interchangeable orifice discs. Discs may be purchased separately as desired. Standard tips may also be used with these GunJets.

PART NO.	REPLACES	DESCRIPTION
74013	AA143-AL-GH	22 1/4" aluminum gun w/GHT (garden hose thread) connections



REF	PART NO.	REPLACES	DESCRIPTION
1	74332	CP1325-AL	Cap
2	72834	D4	Orifice disc, stainless
2A	See kit*		Gasket
3	74334	CP10566-AL	Housing
4	See kit*		Seat plug
5	74336	CP10571-AL	Guide vane
6	See kit*		Gasket, aluminum (2 required)
7	74363	CP10576-416SS	Stem, stainless steel
8	74340	CP6604-AL	Tubing
9	74364	CP6618-AL	Nut, Aluminum
9	74432	CP6618	Nut, brass
10	74365	CP6898-ALGHT	Inlet body (GHT)
10	74366	CP6898-AL1/2	Inlet body (3/4")
11**	74367	CP5882-NP	Hand grip stud
12	74368	CP5883-AL	Washer
13	See kit*		Packing (4 required)
14	74369	CP5811-AL	Screw
15**	74370	CP5884-INP	Hand grip collar
16**	74371	CP5994-NY	Hand grip
17**	74372	CP5813-AL	Hand grip nut
	74207	AB143-KIT	Repair kit (brass gun)
	74206	AB143-AL-KIT	Repair kit aluminum gun

\*\*Parts necessary to replace handle on older guns.

**Spraying Systems No. AA2 & AA2-AL Handgun**

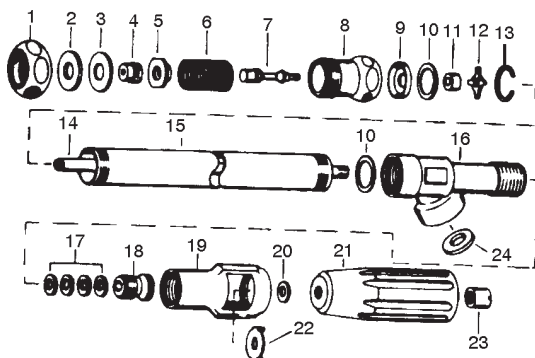
Handle rotates 360° to operate spray gun valve from shut-off to maximum flow position. As handle is turned, spray changes from initial cone spray through intermediate cone spray to straight stream. Corrosion and abrasion resistant hardened stainless steel interchangeable orifice discs. Discs may be purchased separately as desired. Standard tips may also be used with these GunJets.

**GunJet No. 2:** length 24" . . . weight 3 1/2 lbs., brass, garden hose connection. Also available in aluminum as GunJet No. 2AL, 1 1/4 lbs.

**GunJet No. 2A:** length 15" . . . weight 2 1/2 lbs., brass, garden hose connection. Also available in aluminum as GunJet No. 2AAL, 1 lb.



PART NO.	REPLACES	DESCRIPTION
74014	AA2-AL	24" aluminum gun w/GHT connection
74015	AA2-AAL	15" aluminum gun w/GHT connection
74016	AA2	24" brass gun w/GHT connection
74017	AA2A	15" brass gun w/GHT connection



REF	PART NO.	REPLACES	DESCRIPTION
1	74373	CP5804-AL	Cap, aluminum
2	74374	CP6106-AL	Disc adapter, aluminum
3	See kit*		Orifice insert gasket
4	74375	AYH-SS-30	Orifice insert, SS
4	74437	AYH-SS-180	Orifice insert, SS
4	74398	AYH-SS-45	Orifice insert, SS
5	See kit*		Spring plate, aluminum
6	74376	CP5735-SS	Spring
7	See kit*		Adjusting stem end
8	74377	CP5801-AL	Spray housing, aluminum
9	See kit*		Spring collar, aluminum
10	See kit*		Gasket (2 required)
11	See kit*		Seat plate, nylon
12	See kit*		Guide washer, aluminum
13	74378	CP5814-SS	Snap ring
14	74379	CP5796-AL	Adjusting stem, aluminum
14	74399	CP5796	Adjusting Stem Brass
15	74380	CP5795-AL	Tube, aluminum
16	74381	CP5792-GHAL	Inlet body, aluminum 3/4" GHT
17	See kit*		Packing, leather
18	74382	CP6157-ALEF	Packing screw
19	74383	CP5794-AL	Adjusting sleeve
20	74384	CP5815-ICP	Washer
21	74371	CP5994-NY	Hand grip, PVC
22	See kit*		Adj. sleeve collar
23	74372	CP5813-AL	Hand grip nut
24	See kit*		Washer, Buna-N
	74385	CP5806-BU	Gasket for OC tip
	74209	AB2-AL	Repair parts kit (items marked*)

**Spraying Systems No. AA23H Handgun**

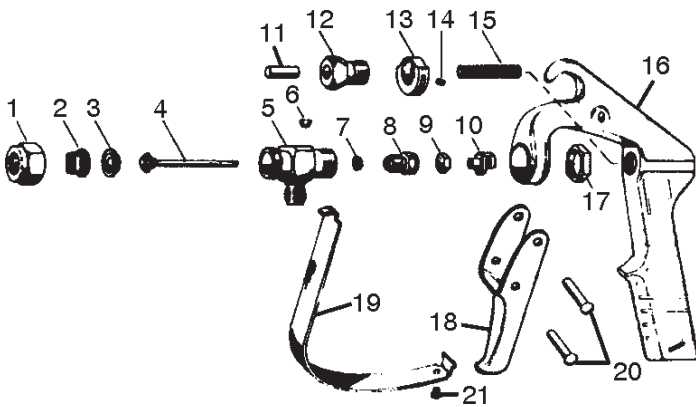


**Maximum Pressure 1000 PSI**

Flow rates to 5 gpm. With comfortable trigger grip. Trigger guard helps prevent accidental discharge. Trigger lock holds trigger in "off" position. 1/4" NPT (M) inlet connection. Instant shut-off with valve seat directly behind orifice tip. Use with any standard tip and with low and high pressure extensions.

PART NO.	REPLACES	DESCRIPTION
74018	AA23-H	GunJet w/cap less tip

REF	PART NO.	REPLACES	DESCRIPTION
1	74387	CP7890-NP	Cap, brass
2			Spray tip (see section 3)
3	See kit*		Valve seat, teflon
4	See kit*		Main stem assembly
5	74307	CP16052-NP	Inlet body, brass
6	74306	CP7892-IZP	Key, steel
7	See kit*		Packing cup, Buna-N
8	74305	CP16071-NP	Packing screw, brass
9	74388	CP7484-INP	Stem nut, steel
10	74389	CP7481-INP	Trigger guide, steel
11	74302	CP7491-ALEF	Spring stud, aluminum
12	74390	CP9421-INP	Safety lock screw, steel
13	74391	CP9422-AL	Safety lock cam, aluminum
14	74392	CP9423-I	Socket head set screw, steel
15	See kit*		Main spring, stainless steel
16	74300	CP16054-1-AL	Body, aluminum
17	74304	CP7486-IZP	Lock nut, steel
18	74328	CP14252-INP	Trigger, steel
19	74327	CP9539-INP	Trigger guard, steel
20	74329	CP8038-IZP	Rivet, steel
21	74330	CP9697-INP	Pan head screw, steel
	74208	AB23H-kit	Repair parts kit (items marked *)



**Adjustable Tip**

Adjustable ConeJet tips fit standard TeeJet spray nozzle body. The body of the 5500 rotates for spray selection from wide angle cone to straight stream . . . tip capacities from .02 to .30 gpm at 40 PSI.



1

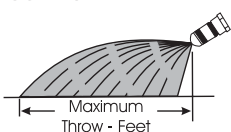
ITEM NO.	PART NO.	REPLACES	DESCRIPTION
1	72633	5500-X5	Adjustable tip (brass) 11/16" Fe Thread
1	72634	5500-X8	Adjustable tip (brass) 11/16" Fe Thread
1	72636	5500-PPB-X8	Adjustable tip (poly) 11/16" Fe Thread
1	75590	5500-X8	Adjustable tip (brass) 1/4" Fe Thread



2

ITEM NO.	PART NO.	REPLACES	DESCRIPTION
2	75591	38720-PPB-X8	Adjustable tip (poly) 11/16" Fe Thread

**TIP SETTING "A"  
CONE SPRAY PATTERN**



**TIP SETTING "B"  
STRAIGHT STREAM SPRAY PATTERN**



Tip No.	Performance	Liquid Pressure in psi					
		20 psi		30 psi		40 psi	
		Setting A	Setting B	Setting A	Setting B	Setting A	Setting B
5500-X5 or 72633	Capacity - gpm Spray Angle Max. Throw ft.	.061 61° 2.5	.21 - 31	.076 70° 2.5	.26 - 34	.082 74° 3	.30 - 35
5500-X8 or 72634 72636	Capacity - gpm Spray Angle Max. Throw ft.	.097 66° 3	.33 - 34	.12 71° 3	.40 - 37	.13 74° 3	.47 - 38

**TeeJet Trigger Adapters**

No. 46 trigger adapter gives trigger “on-off” control to rotating handle GunJet spray guns. Heavy duty design weighs only 13 ounces. 3/4" garden hose inlet and outlet connections to fit GunJet no. 2, 12 and 143AL-GH. For pressures up to 800 psi. Large four-finger trigger for easy trigger control. Trigger lock for continuous spraying. Handle made of aluminum. Buna-N valve seat.



PART NO.	REPLACES	DESCRIPTION
74400	AA46	Trigger adapter
74401	PKAB-46-KIT	Trigger adapter repair kit
74402	3056-1/4	1/4" brass adapter
74403	3056-3/8	3/8" brass adapter
74404	3056-1/2	1/2" brass adapter
74405	11740-A	3/4" garden hose swivel, brass

**MAKES ANY HAND GUN A TRIGGER GUN**

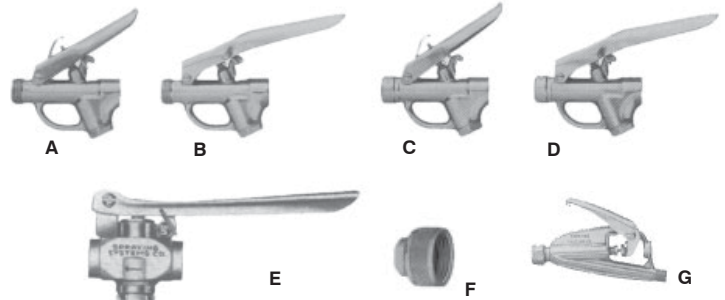


No. 3056 Adapter attaches to outlet of No. 46 trigger valve, to convert valve to spray gun. Choice of 1/4", 3/8" and 1/2" NPT female outlet connections for attachment of nozzles or extensions.

No. 11740A swivel connector is made with 3/4" garden hose connections to fit all GunJet spray guns with similar inlet connections. Provides free-swivelling, leak-proof connections at pressures up to 800 PSI.

**TeeJet Shutoff Valves and Sprayguns**

Quality built, smaller capacity valves and spray guns for dependable, trouble-free performance. Designed for a wide variety of applications such as weed spot spraying, insecticide and pesticide spraying and applying cold water paints.



REF	PART NO.	REPLACES	DESCRIPTION	IN	OUT	MAX. FLOW	MAX. PRESSURE	WT.
A	74406	4688	Trigger valve w/lock	1/4FPT	TeeJet cap	2 gpm	250	5 oz.
B	74407	6466	Same as 4688 less trigger lock w/extra long handle	1/4FPT	TeeJet cap	2 gpm	250	5 oz.
C	74408	6104	Trigger valve w/lock	1/4FPT	1/4FPT	2 gpm	250	5 oz.
D	74409	6590	Trigger valve less lock	1/4FPT	1/4FPT	2 gpm	250	5 oz.
E	74410	AA36-1/4	Trigger valve w/lock	1/4FPT	1/4FPT	7 gpm	150	13 oz.
E	74457	AA36-3/8	Trigger valve w/lock	3/8FPT	3/8FPT	7 gpm	150	13 oz.
F	74411	13212	Adapter for 4688 valve with lock	3/4FGHT	3/8FPT	-	-	-
G	74019	AA31	Trigger Valve	1/4mpt	TeeJet Cap	—	—	12 oz.

Top quality hand valves for use with spray nozzles, extensions and handles to suit your application needs. Hand valve assemblies may be made from parts shown on this page. The “typical assembly” shown at right includes 4727 handle, 4688 valve, 6671-8 curved extension, TeeJet cap and flat spray tip.



PART NO.	REPLACES	DESCRIPTION
74217	4727	4727 sure grip handle, brass rubber-covered, 1/4" NPT (M), hose inlet connection
74218	4754	4754 sure grip handle, brass, rubber-covered, 3/4" garden hose thread (F) inlet connection
	6671	Lance see page 6-8



4727



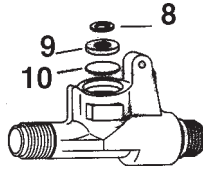
4754



## TeeJet Triggerjet Spray Gun

### MODEL 22670

The 22670 TriggerJet spray gun kit combines the 22650 TriggerJet spray gun with an extension wand and the items listed in features. Maximum pressure rating is 150 PSI (10 bar).



#### Features:

- 22650 TriggerJet spray gun with a 1/4" NPT (F) thread inlet connection
- Trigger lock permits locking gun in an open position for continuous flow
- 22665 extension wand with 15" length
- 8079-50-PP tip strainer
- 5500-PPB-X8 adjustable ConeJet spray tip
- CP22673-PP 45° adapter
- Accepts all standard Spraying Systems Co. spray tips and tip strainers

REF	PART NO.	REPLACES	DESCRIPTION
8	74520	CP22676-NEO	Gasket, Neoprene
9	74521	CP22659-PP	Washer, Polypropylene (Black)
10	74522	CP22661-VI	Diaphragm, Viton



PART NO.	REPLACES	EXTENSION LENGTH	INLET CONNECTION
74020	22670-PP-15-1/4	15"	1/4" (F) NPT

## Spraygun Extensions

### LOW PRESSURE STRAIGHT AND CURVED EXTENSIONS

Fits model 23L GunJet spray guns and trigger valves. Designed for use with TeeJet strainers, caps and spray tips.



### HIGH PRESSURE CURVED EXTENSIONS

Use when spraying pressures will be greater than 250 PSI. Fits model 23H GunJet spray guns. Body designed for use with TeeJet strainers, caps and spray tips. Fixed position body, brass constructed with rubber covered handle (except in 8" length). Warning: Do not use at pressure higher than those specified for valve or spray gun.



## REPLACEMENT PARTS

PART NO.	REPLACES	DESCRIPTION
74198	22650-PP-1/4	Complete handle w/trigger
74459	CP22653-1/4-PP	Handle
75168	CP22653-3/8-PP	Handle
74199	22665-15-PP	15" lance
74214	22665-24-PP	24" lance
74297	CP22664-PP	Adapter
74215	CP22673-PP	45° adapter
50MN	8079-PP-50	Screen 50 mesh
72636	5500-PPB-X8	Adjustable tip poly
74216	PK-AB22670-PP-KIT	Includes spring, gasket, diaphragm and O-Rings for 74198

## REPLACEMENT PARTS

REF	PART NO.	REPLACES	DESCRIPTION
-----	----------	----------	-------------

#### Maximum Pressure 250 PSI

1	74315	7715-8	8" straight with fixed body
1	74316	7715-18	18" straight with fixed body
1	74317	7715-24	24" straight with fixed body
1	74325	7715-30	30" straight with fixed body
1	74318	7715-36	36" straight with fixed body
1	74319	7715-48	48" straight with fixed body

#### Maximum Pressure 125 PSI

2	74412	4673-8	8" curved with swivel body
2	74413	4673-18	18" curved with swivel body
2	74414	4673-24	24" curved with swivel body
2	74415	4673-30	30" curved with swivel body
2	74416	4673-36	36" curved with swivel body
2	74417	4673-48	48" curved with swivel body

#### Maximum Pressure 125 PSI

3	74418	6671-8	8" curved with fixed body
3	74419	6671-18	18" curved with fixed body
3	74420	6671-24	24" curved with fixed body
3	74421	6671-30	30" curved with fixed body
3	74422	6671-36	36" curved with fixed body
3	74423	6671-48	48" curved with fixed body

#### Maximum Pressure 1000 PSI

4	74424	9527-8	8" curved high pressure
4	74425	9527-18	18" curved high pressure
4	74426	9527-24	24" curved high pressure
4	74427	9527-36	36" curved high pressure
4	74428	9527-48	48" curved high pressure

## Telescoping Handwand

The new Gun-Action Telescoping Handwand!  
This wand will be an asset for any sprayer!

- Adjusts from 32" to 51" in just a twist of the wrist.
- You can now reach those taller trees, go deeper in those tight corners, under decks & patios.
- The spray tip is also adjustable from a full cone spray to a straight stream.
- Quick release Trigger lock.
- Weight is less than 1/2 lb.
- Aluminum Telescoping Pipe
- 0.15 - 0.2 GPM at 40 PSI
- Will interchange with any flat screen tip
- 3/8" hose barb standard



**PART NO.  
75180**

## 1/8 DT Tips for Wands



Part numbers listed are with 40° spray angle. Also available in 15°, 25°, 50°, 65°, 80° and 95° spray angles. Brass nozzles and solid stream nozzles are also available in all capacity sizes shown.

PART NO.	REPLACES	MATERIAL	40 PSI	100 PSI	200 PSI	GPM AT PSI BASED ON WATER						
						300 PSI	400 PSI	500 PSI	600 PSI	700 PSI	800 PSI	1000 PSI
72628	H-1/8DTSS 40-04	Stainless steel	.40	.63	.89	1.1	1.3	1.4	1.6	1.7	1.8	2.0
72629	H-1/8DTSS 40-06	Stainless steel	.60	.95	1.3	1.6	1.9	2.1	2.3	2.5	2.7	3.0
72630	H-1/8DTSS 40-09	Stainless steel	.90	1.4	2.0	2.5	2.9	3.2	3.5	3.8	4.0	4.5
72632	H-1/8DTSS 65-09	Stainless steel	.90	1.4	2.0	2.5	2.9	3.2	3.5	3.8	4.0	4.5

## High Pressure Wand

- Pressure molded handle
- Continuous 1/8" steel barrel

PART NO.	REPLACES	DESCRIPTION
74485	5271406	18" galvanized wand



## WP Handgun Kits



### SPW WP300

Handgun kit with Spraying Systems pistol grip handgun, shutoff valve,  $\frac{3}{8}$ " x 25' hose assembly. To be used on sprayers not plumbed for handguns.

**Note:** For parts breakdown see Section 9



### SPW WP302

Handgun kit with Hamilton twist adjust handgun, shutoff valve,  $\frac{3}{8}$ " x 25' hose assembly. To be used on sprayers not plumbed for handguns.

**Note:** For parts breakdown see Section 9

### SPW WP303

Handgun kit with Spraying Systems polypropylene,  $\frac{1}{4}$ " x 12- $\frac{1}{2}$ ' hose assembly. Economy handgun, can be used on all WP estate sprayers.

**Note:** For parts breakdown see Section 9



### SPW WP308

Handgun kit with pistol grip handgun, gun and hose holder,  $\frac{3}{8}$ " x 25' hose assembly. Used on WP31140 and WP62140 and other 3 point sprayers

**Note:** For parts breakdown see Section 9



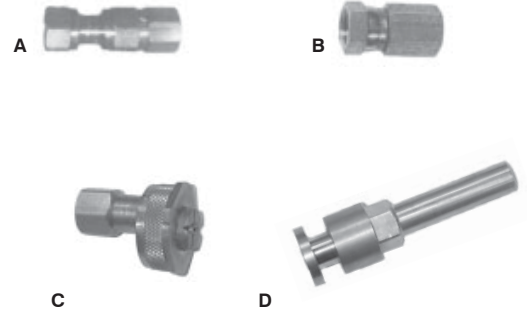
### SPW WP304

Handgun kit with pistol grip handgun, gun holder,  $\frac{3}{8}$ " x 12- $\frac{1}{2}$ ' hose assembly. Can be used on all WP estate Sprayers.

**Note:** For parts breakdown see Section 9

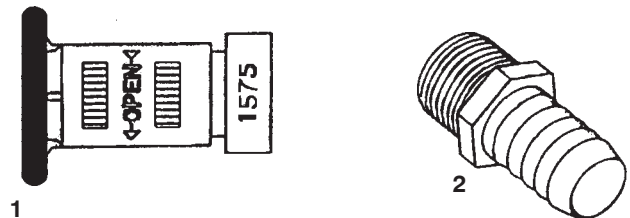
**Accessories for Guns**

REF	PART NO.	REPLACES	DESCRIPTION
A	74393	11990-10	1/4" NPT x 1/4" NPT female brass swivel
B	HYD0207-4x4	5010101	Connector 1/4" NPT x 1/4" NPT female (does not swivel after tight)
C	74394	AA120-3	Quick change MultiJet nozzle (3) 2 gpm tips (1) injection tip
C	74395	AA120-3	Quick change MultiJet nozzle (3) 3 gpm tips (1) injection tip
D	74490	50257	Extended range handgun nozzle assembly. (increases range 15 feet at 50 psig with 45° angle to the ground) Replaces standard orifice disc on end of handgun
	74491	50288	Same as 74490 less adapter, less disc
	74492	32032-2	Same as 74491 less Venturi cover



**Fire Hose Nozzle (Red Plastic)**

PART NO.	DESCRIPTION X THREAD
73603	1 1/2" nozzle NPSH
75789	2" nozzle NPSH
75790	1" nozzle NPSH
75791	3/4" nozzle GHT



**HOSE BARBS  
SEE PAGE 5-20 & 5-28**

Complete assemblies of gun and wands with quick disconnect couplers. (#78118 1/4 Female Coupler and #78125 3/8 Male Coupler)



PART NO.	LENGTH	WEIGHT	DESCRIPTION
75205	36"	3.24 lbs.	with 78084 gun
75209	36"	3.08 lbs.	with 78082 gun
75219	47"	4.36 lbs.	with 78082 gun
75222	59"	4.64 lbs.	with 78082 gun
75223	79"	5.2 lbs.	with 78082 gun

## High Pressure Wands

### ST 003 LANCES

Pressure: 4000 PSI  
 Flow Rate: 12 US gpm  
 Temperature: 300°F  
 SCH 80 Aluminum 1/4" MPT both ends

PART NO.	SIZE
SPP 78074	18"
SPP 78075	24"
SPP 78076	36"
SPP 78077	47"
SPP 75007	59"
SPP 75012	72"
SPP 75013	79"



### ST 54 DOUBLE-LANCE

Pressure: 3000 PSI  
 Flow Rate: 12 gpm  
 Temperature: 300°F  
 Less Tips

PART NO
SPP 78102



### ST 2500

Easy trigger operation and light to hold

Pressure: 4000 PSI  
 Flow Rate: 12 gpm  
 Temperature: 300°F  
 Weight: 19 oz.  
 3/8" FPT inlet  
 1/4" FPT outlet

PART NO
SPP 78084

REPAIR KIT
SPP 78128



### ST 810

Pressure: 2150 PSI  
 Flow Rate: 7 gpm  
 Temperature: 210°F  
 Weight: 19 oz.  
 3/8" FPT inlet  
 1/4" FPT outlet  
 Fits Westward Pressure Washers  
 (except 3011)

PART NO
SPP 78105

REPAIR KIT
SPP 78129



### MTM LOW PRESSURE SPRAY GUN

Max Pressure: 350 PSI  
 Max Flow Rate: 26 US gpm  
 Max Temperature: 200°F  
 1/2" FNPT inlet  
 Garden Hose Spray outlet

PART NO
SPP 75048



### ST 007 LANCES WITH MOLDED GRIPS

Pressure: 4000 PSI  
 Flow Rate: 12 US gpm  
 Temperature: 300°F  
 Plated Steel 1/4" MPT both ends

PART NO.	SIZE
SPP 78078	18"
SPP 78079	24"
SPP 78080	36"
SPP 78081	47"
SPP 74219	59"
SPP 74224	79"



### LANCE HANDLE

Fits on any standard pressure washer lance for extra hold.

PART NO
SPP 75204



### ST 1000 GUN HANDLE

Open Flow Design with no trigger

Pressure: 4000 PSI maximum  
 Flow Rate: 12 gpm maximum  
 Temperature: 300°F  
 3/8" FPT inlet  
 1/4" FPT outlet

PART NO
SPP 78082



### ST 1500 GUN

Pressure: 4000 PSI  
 Flow Rate: 7 gpm  
 Temperature: 300°F  
 3/8" FPT inlet  
 1/4" FPT outlet  
 Fits Westward 3011 Pressure Washers

PART NO
SPP 78083

REPAIR KIT
SPP 78127



### PA VEGA SPRAY GUN

Max Pressure: 5000 PSI  
 Max Flow: 8 gpm  
 Temperature: 300°F  
 3/8" FNPT inlet  
 1/4" FNPT outlet

PART NO
SPP 75045



**25° Spray Tips 1/4" Male and Female Pipe Thread**



**Tips/Nozzles**

Nozzles restrict water flow sufficiently to develop the required pressure. Nozzle size therefore influences the pressure and flow rate. Nozzles also break the liquid flow into optimum sized droplets, form the spray pattern and propel the droplets in the proper direction.

Note: Flow through an orifice will gradually make the hole bigger resulting in lower pressure. Frequently users will complain that their high pressure cleaner does not perform as well as before when in fact all it requires is the correct size nozzle

**NOZZLE VOLUME (GPM) AT VARIOUS PRESSURES (PSI)**

Female Part No.	Male Part No.	Nozzle Size	Orifice Dia. (in)	40 PSI	100 PSI	250 PSI	500 PSI	600 PSI	700 PSI	800 PSI	1000 PSI	1200 PSI	1500 PSI	2000 PSI	2500 PSI	3000 PSI	3500 PSI	4000 PSI
78892	78109	4.0	0.052	0.40	0.63	1.0	1.4	1.6	1.7	1.8	2.0	2.2	2.5	2.8	3.1	3.5	3.8	4.0
78889	78110	4.5	0.055	0.45	0.71	1.1	1.5	1.7	1.9	2.0	2.2	2.4	2.8	3.0	3.6	3.9	4.3	4.5
78893	78111	5.0	0.057	0.50	0.79	1.3	1.8	1.9	2.1	2.2	2.5	2.8	3.1	3.6	4.0	4.4	4.7	5.0
78894	78112	5.5	0.060	0.55	0.87	1.4	1.9	2.1	2.3	2.5	2.8	3.0	3.4	3.8	4.4	4.8	5.2	5.5
78895	78113	6.0	0.062	0.60	0.95	1.5	2.1	2.3	2.5	2.7	3.0	3.2	3.7	4.2	4.8	5.2	5.6	6.0
78896	78114	6.5	0.064	0.65	1.00	1.7	2.3	2.5	2.7	2.9	3.3	3.6	4.0	4.6	5.2	5.7	6.0	6.5
78897	78115	7.0	0.067	0.70	1.10	1.8	2.5	2.7	2.9	3.1	3.5	3.8	4.3	5.0	5.6	6.1	6.6	7.0
78898	78116	7.5	0.070	0.75	1.20	1.9	2.7	2.9	3.2	3.4	3.8	4.1	4.6	5.3	6.0	6.5	7.0	7.5
78899	78117	8.0	0.072	0.80	1.30	2.0	2.8	3.1	3.4	3.6	4.0	4.4	5.0	5.6	6.2	7.0	7.5	8.0

\* A commonly used standard for nozzle size is the nozzle number which is equivalent to the nozzle capacity in GPM at 4000 PSI. Spray angle does not affect nozzle volume

**Brass Wand Couplers and Plugs**

**FEMALE COUPLER X MPT**



1/4" NPT  
3/8" NPT  
1/2" NPT

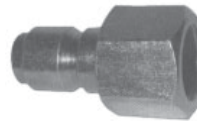
74226  
74227  
74591

**FEMALE SOCKET**



78118  
78119  
78120

**FEMALE PLUG**

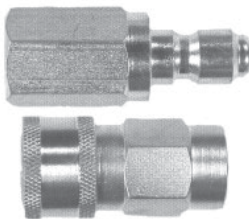


78121  
78122  
78123

**MALE PLUG**



78124  
78125  
78126



PART NO.	SIZE	DESCRIPTION
78029	1/4"	Stainless-Steel Plug
78037	1/4"	Brass w/Stainless Sleeve Coupler

Longer body for greater strength.

**FEMALE PIPE CONNECTOR**

PART NO. (STEEL)	PIPE THREAD	
	T1	T2
HYD 0202-4X4	1/4 x 18	1/4 x 18



**O-RINGS FOR FEMALE COUPLERS**

PART NO.	DESCRIPTION
74228	1/4" O-Ring
74229	3/8" O-Ring
74232	1/2" O-Ring

## Complete Handguns



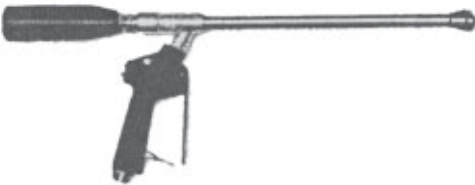
Standard turbine spray gun. Adjustable from cone to stream spray. At 850 PSI with #2.3 nozzle straight stream range is 45'. 21" (550 mm) long.

PART NO.	DESCRIPTION
75487	Gun
74590	Repair parts kit



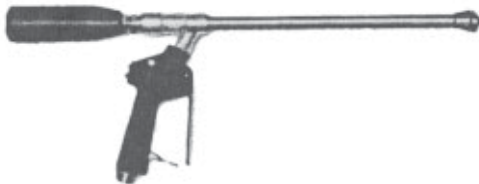
Long range spray gun. Adjustable from cone to stream spray. At 850 PSI with #4.5 nozzle straight stream range is 62'. 25" (640 mm) long.

PART NO.	DESCRIPTION
75488	Gun
74590	Repair parts kit



- Complete with spraying systems end adapter, brass cap, orifice and garden hose adapter.
- 12" lance
- D6 orifice
- Max PSI- 750 lbs.

PART NO.	DESCRIPTION
78357	Handgun
78362	Repair kit



- Complete with spraying systems end adapter, brass cap, orifice and garden hose adapter.
- 24" lance
- D6 orifice
- Max PSI - 750 lbs.

PART NO.	DESCRIPTION
78358	Hand gun
78362	Repair kit

**LONG HAND WANDS SEE SECTION 7**