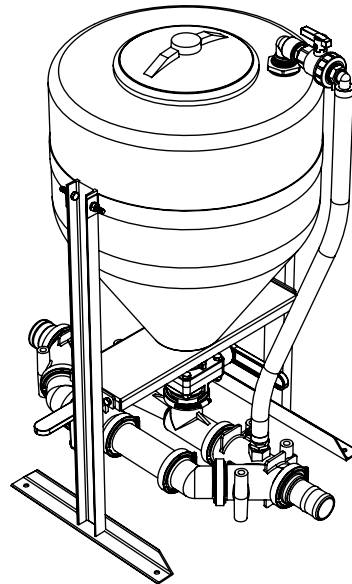


OWNER'S MANUAL

Model: INDUCTOR-SYS-2 (5301844)

(2" Poly Inductor System w/Tank Rinse)



BEFORE RETURNING THIS PRODUCT
FOR ANY REASON, PLEASE CALL

1-800-831-0027

IF YOU SHOULD HAVE A QUESTION OR
EXPERIENCE A PROBLEM WITH YOUR
FIMCO INDUSTRIES PRODUCT:

1-800-831-0027

BEFORE YOU CALL, PLEASE HAVE THE
FOLLOWING INFORMATION AVAILABLE:
SALES RECEIPT & MODEL NUMBER. IN MOST
CASES, A FIMCO INDUSTRIES EMPLOYEE CAN
RESOLVE THE PROBLEM OVER THE PHONE.

General Information

Thank you for purchasing this product. The purpose of this manual is to assist you in operating and maintaining your Inductor System. Please read it carefully, as it furnishes information which will help you achieve years of trouble-free operation.

Warranty/Parts/Service

Products are warranted for one year from date of purchase against manufacturer or workmanship defects.

Commercial users have a 90 day warranty.

Your authorized dealer is the best source of replacement parts and service. To obtain prompt, efficient service, always remember to give the following information...

- Correct Part Description and/or part number.
- Model number/Serial number of your sprayer.

Part descriptions and part numbers can be obtained from the illustrated parts list section(s) of this manual.

Whenever you need parts or repair service, contact your distributor/dealer first. For warranty work, always take your original sales slip, or other evidence of purchase date, to your distributor/dealer.

Technical Specifications

- 15 Gal. Corrosion-Resistant Inductor Tank
- Rinse Line with Valve
- Durable Steel Frame

Assembly

Your inductor assembly will require some assembly:

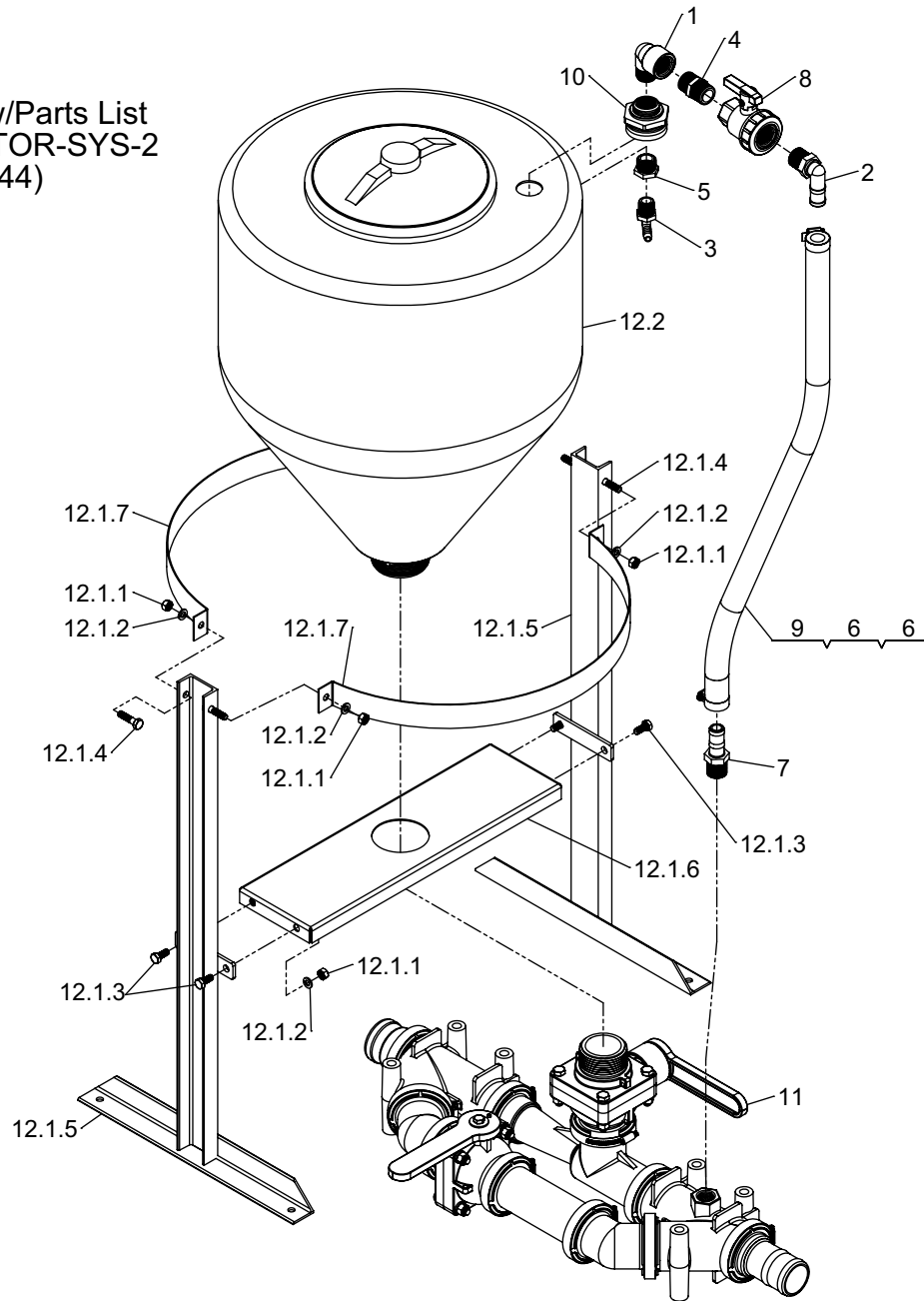
1. Bolt the frame together as shown in the exploded view drawing. Use the proper length bolts at their respective locations.
2. Plumb the fittings at the top of the tank as shown in the cut-view detail. This is your rinse line. The valve at this location throttles the flow back into the tank. You will probably need to drill a hole in the tank for this rinse line. The hole should be approximately 1-3/8" diameter.
3. Plumb the valve of the venturi system with the 2" pipe threads into the bottom of the tank. You may need to undo the stainless steel flange clamp at this location so the valve can be threaded into the tank bulkhead fitting without interference. Put clamp back in place if it was removed.



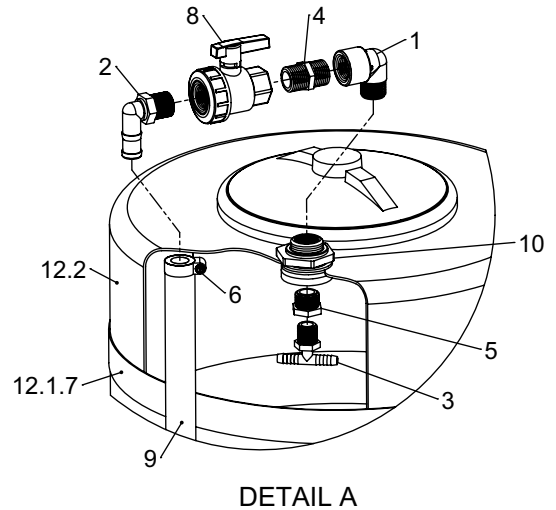
www.fimcoindustries.com

1000 FIMCO Lane, P.O. Box 1700, North Sioux City, SD 57049
Toll Free Phone: 800-831-0027 : Toll Free Fax: 800-494-0440
Form No. 1849 [5008171 (02/10)] Printed in the U.S.A.

Exploded View/Parts List
 Model: INDUCTOR-SYS-2
 (5301844)



Item No	Part Number	Qty	Description
1	5010296	1	Banjo 3/4" Street Elbow (90 Deg)
2	5010333	1	Banjo 3/4" MPT x 3/4" HB (90 Deg)
3	5010433	1	1/2" MPT x 3/8" HB (TEE)
4	5011200	1	Short Poly Pipe Nipple (3/4")
5	5041020	1	Nylon Reducer Bushing, 3/4" MNPT x 1/2" FNPT
6	5051141	2	Stainless Steel Hose Clamp (1/2" - 1-1/4")
7	5067184	1	Banjo 3/4" Hose Barb
8	5143407	1	Ball Valve, 3/4" FPT x 3/4" Port (Poly)
9	5153085	1	Hose, 3/4"-2 Brd. x 4 Ft.
10	5273736	1	Tank Fitting (3/4" NPT / Double-Threaded Poly)
11	5275956	1	2" (FP) Manifold Venturi System (Poly)
12	5301268	1	15 Gallon Inductor Tank & Stand Assembly
12.1.1	5006040	8	5/16"-18 Hex Nut
12.1.2	5016026	8	Lockwasher, 5/16"
12.1.3	5034038	4	H.H.C.S., 5/16"-18 x 3/4"
12.1.4	5034076	4	H.H.C.S., 5/16"-18 x 1 1/4"
12.1.5	5273829	2	Stand Weldment (15 Gal. M & F)
12.1.6	5096047	1	Cross Member (15 Gal. M & F)
12.1.7	5114057	2	Tank Band (15 Gal. M & F)
12.2	5169222	1	15 Gallon Inductor Tank (w/Fitting)



After Spraying

After use, fill the sprayer tank part way with water. Start the sprayer, and allow the clear water to be pumped through the plumbing system and out through the spray nozzles. Refill the tank about half full with plain water and use FIMCO Tank Neutralizer and Cleaner, and repeat cleaning instructions above.

Flush the entire sprayer with the neutralizing/cleaning agent, then flush out one more time with plain water. Follow the chemical manufacturer's disposal instructions of all wash or rinsing water.

For the boom, (if applicable) remove the tips and screens from the nozzle assemblies. Wash these items out thoroughly. Blow the orifice clean and dry. If the orifice remains clogged, clean it with a fine bristle (NOT WIRE) brush, or with a toothpick. Do not damage the orifice. Water rinse and dry the tips before storing.

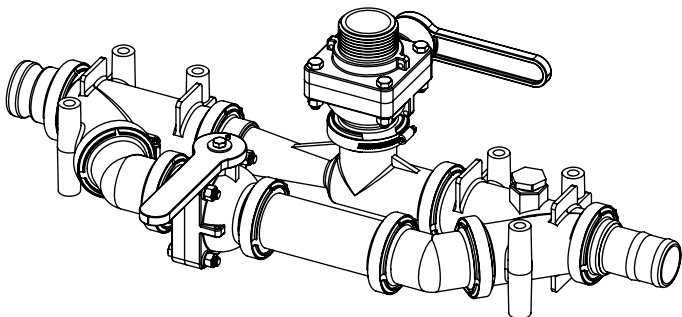
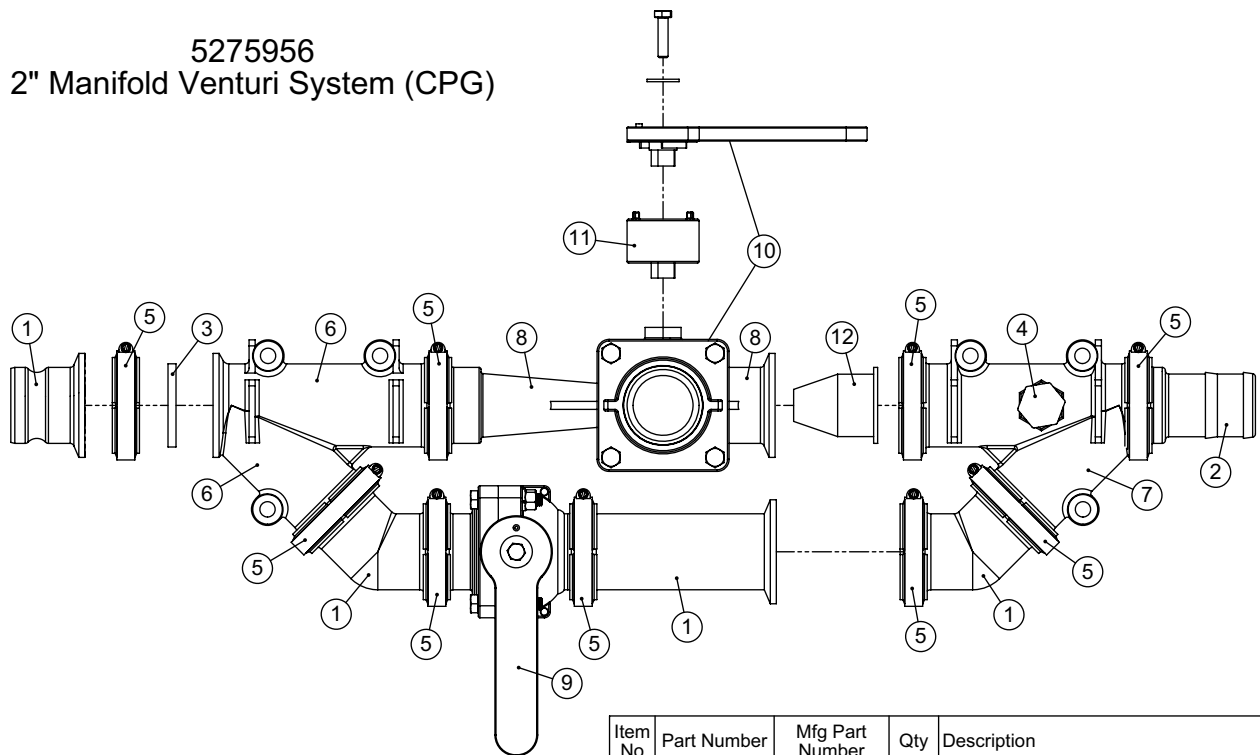
WARNING: Some chemicals will damage the pump valves if allowed to soak untreated for a length of time! ALWAYS flush the pump as instructed after each use.

Winter Storage

Drain all water out of your sprayer, paying special attention to the pump, handgun, and valve(s). These items are especially prone to damage from chemicals and freezing weather.

The sprayer should be winterized before storage by pumping a solution of RV antifreeze through the entire plumbing system. This antifreeze solution should remain in the plumbing system during the winter months. When spring time comes and you are preparing your sprayer for the spray season, rinse the entire plumbing system out, clearing the lines of the antifreeze solution. Proper care and maintenance will prolong the life of your sprayer.

5275956
2" Manifold Venturi System (CPG)



Assembled Venturi System

Item No	Part Number	Mfg Part Number	Qty	Description
1	5057208	M220A	4	2" Full Port Manifold x Male Shank
2	5068012	M220BRB	1	2" Full Port x Hose Shank (2" I.D. Hose)
3	5072216	200G	10	Coupling Gasket (2")
4	5102098	PLUG075	1	3/4" Pipe Plug
5	FC200	FC200	10	2" Flange Clamp
6	M220Y45	M220Y45	1	2" Wye - 45 Deg.
7	M220YG45	M220YG45	1	2" Wye - 45 Deg. (w/Gauge Port)
8	MHV220	MHV220	1	2" Flanged Venturi
9	MVS220CF	MVS220CF	1	2" Full Port Stubby Valve
10	MVSF220FP	MVSF220FP	1	2" Stubby Valve (Full Port x 2" MNPT)
11	V20153138X	V20153138	1	1-3/8" Handle Offset (2" Std Port Valve)
12	Venturi		1	Venturi