



Hubs & Wheels

REVISED 09/23



PARTS CATALOGUE
SECTION 9

Westward has the part!

INDEX

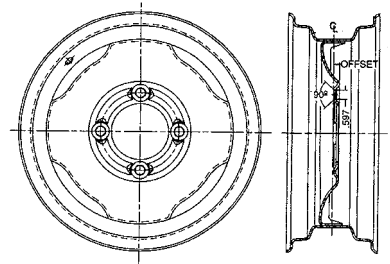
Casters	9-14	Hub Kits, Unassembled	9-7
Dust Caps.....	9-9	Seals.....	9-8
Grease Seals.....	9-9	Spindles.....	9-8
Hubs		Spindle Nuts	9-8
10 Bolt, 11.25" Bolt Circle, 8.69" Pilot.....	9-6, 9-12	Spindle Washers	9-8
4 Bolt, 5" Bolt Circle, 3.62" Pilot	9-1, 9-11	Utility Wheels.....	9-13
5 Bolt, 5.50" Bolt Circle, 4" Pilot	9-3, 9-11	Wheels	
6 Bolt, 6" Bolt Circle, 4.62" Pilot	9-4 to 9-5, 9-11	14" Light Duty Concave.....	9-1
8 Bolt, 8" Bolt Circle, 6" Pilot	9-5 to 9-6	14" Medium Duty	9-3
For up to 12" Diameter Wheels	9-2	14" Standard Convex	9-4
For 14" Diameter Wheels	9-1 to 9-5	15" Agricultural Duty	9-5
For 15" Diameter Wheels	9-1 to 9-6	15" Light Duty Concave.....	9-1
For 16" Diameter Wheels	9-4 to 9-6	15" Medium Duty.....	9-3
Air Seeder	9-12	15" Standard Convex	9-4
CCIL, To Fit.....	9-12	16" Standard Convex	9-4
Chisel Plow.....	9-12	Flat Free	9-13
Complete	9-7	Plastic.....	9-13
Concord, To Fit.....	9-11	Rib	9-13
Flexicoil, To Fit.....	9-12	Wheel Barrow.....	9-13
Kits with Components.....	9-7	Utility.....	9-13
Melroe, To Fit.....	9-11	Wheel Bolts	9-10
Morris, To Fit.....	9-12	Wheel Offset Explanation	9-2
Special.....	9-11 to 9-12	Wheel Stud Nuts.....	9-10
Versatile, To Fit.....	9-11		

CTD HUBS, WHEELS & SPINDLES

14" & 15" Diameter Light Duty Concave Implement Wheels

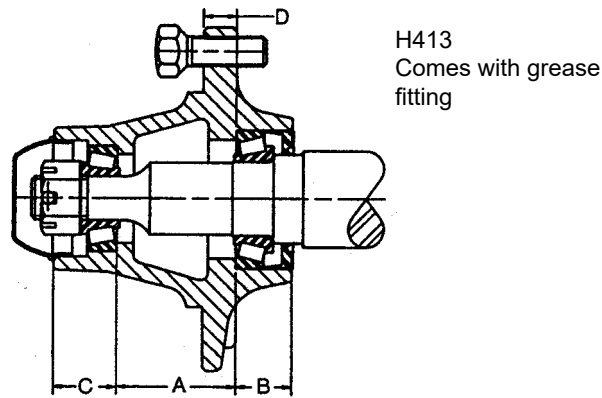
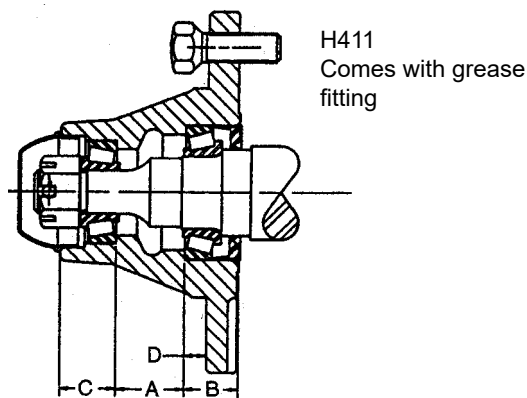
4 BOLT, 5" BOLT CIRCLE, 3.62" PILOT

PART NO.	RIM	OFFSET	CAPACITY (lbs.)
HUB14X5X4	14 x 5 KB	-.38	1250
HUB15X5X4	15 x 5 KB	-.38	1250



Hubs & Component Parts for 14" & 15" Diameter Light Duty Wheels

4 BOLT, 5" BOLT CIRCLE, 3.62" PILOT



HUB NO.	BEARING NO.						PARTS NO.			A	B	C	D	*CAP lbs.	SPINDLE
	INNER CUP	OUTER CUP	INNER CONE	INNER BORE	OUTER CONE	OUTER BORE	DUST CAP	WHEEL BOLT	GREASE SEAL						
HUBH411-3	LM67010	LM11910	LM67048	1.25	LM11949	.75	DC12	WB10	SE11	1.18	.93	.93	.37	1250	S411-A09
HUBH413-6	LM67010	LM11910	LM67048	1.25	LM11949	.75	DC24	WB10	SE11	2.00	.93	1.06	.56	1500	S511-A01

Hub capacities based on .38 Negative Offset, 20,000 mile minimum bearing life at tractor speed (20MPH) and 14,000 PSI. Maximum Fiber Stress on the spindle. Hubs include parts in shaded areas only.

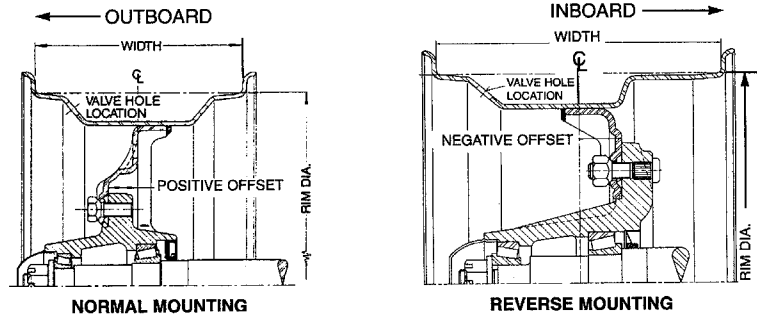
CTD HUBS, WHEELS & SPINDLES

Wheel Offset Explanation

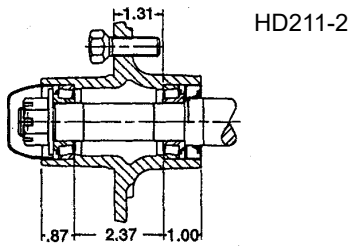
OFFSET: (as defined by S.A.E. standards) is the distance between mounting face of the flange and the rim centerline.

POSITIVE OFFSET: (INSET) This distance is termed positive when the mounting face is outboard of the rim centerline.

NEGATIVE OFFSET: (OUTSET) This distance is termed negative when the mounting face is inboard of the rim centerline.



Hubs & Components for up to 12" Diameter Wheels



HUB ORDER NO.	NO. OF BOLTS	BOLT CIRCLE	PILOT	INNER CUP	OUTER CUP	INNER CONE	OUTER CONE	DUST CAP	WHEEL BOLT	GREASE SEAL	*CAP lbs.	SPINDLE
HUBHD211-2	4	4.00	2.50	L44610	L44610	L44643	L44643	DC11	WB10	SE10	1250	S210-A36

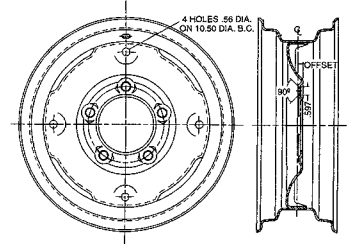
NOTE: HD211-2 & HD213-2 hub capacity based on zero offset. Maximum wheel diameter 12". Hubs include parts in shaded areas only.

CTD HUBS, WHEELS & SPINDLES

14" & 15" Diameter Medium Duty Implement Wheels

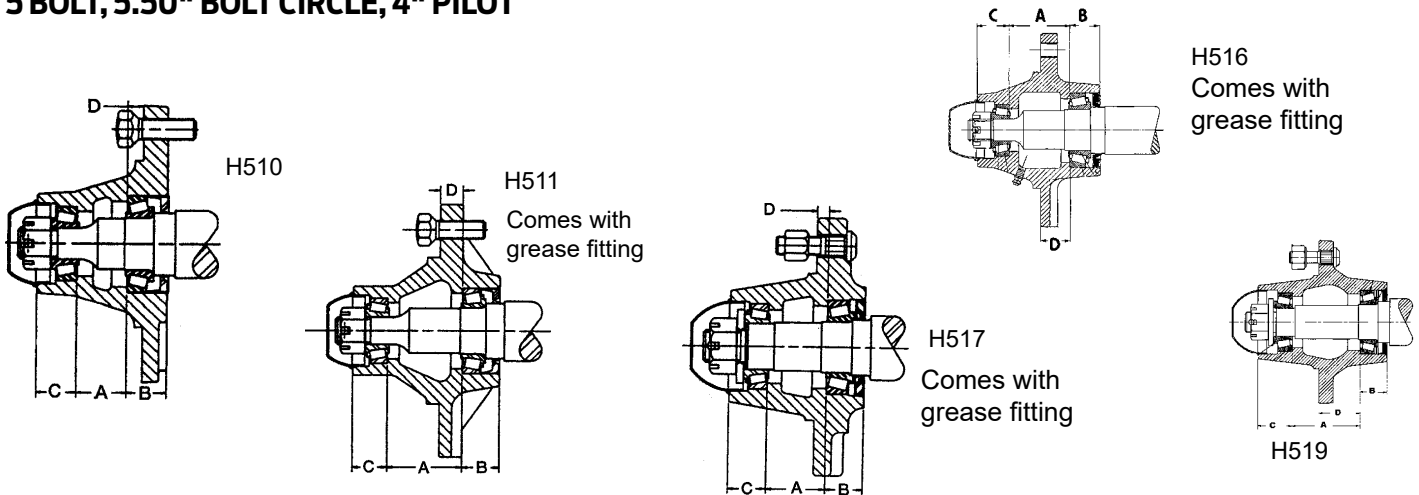
5 BOLT, 5.50" BOLT CIRCLE, 4" PILOT

PART NO.	RIM	OFFSET	CAPACITY (lbs.)
HUB15X5X5	15 X 5 KB	-.25	2000
HUB15X6X5	15 x 6 LB	-.25	2000
HUB15X8X5	15 x 8 LB	-.25	2000



Hubs & Component Parts for 14" & 15" Diameter Medium Duty Wheels

5 BOLT, 5.50" BOLT CIRCLE, 4" PILOT



HUB NO.	BEARING NO.						PARTS NO.			A	B	C	D	*CAP lbs.	SPINDLE
	INNER CUP	OUTER CUP	INNER CONE	INNER BORE	OUTER CONE	OUTER BORE	DUST CAP	WHEEL BOLT	GREASE SEAL						
HUBH510	LM67010	LM11910	LM67048	1.25	LM11949	.75	DC12	WB10	SE11	1.18	.93	.93	.37	1250	S411-A09
HUBH511-2	LM67010	LM11910	LM67048	1.25	LM11949	.75	DC12	WB10	SE11	2.03	1.0	.93	.63	1800	S511-A01
HUBH517-2	LM48510	LM67010	LM48548	1.37	LM67048	1.25	DC13	WB16 WB11	SE13	1.56	1.0	1.0	.31	2760	S517-A02
HUBH516	LM48510	LM11910	LM48548	1.37	LM11949	.75	DC12	WB10	SE14	2.03	1.0	1.09	1.0	1840	S516-A03
HUBH519	LM13621	LM15250	LM13685	1.50	LM15118	1.189	DC15	WB16 WB11	SE13X	2.87	1.125	1.437	1.75	1680	S519

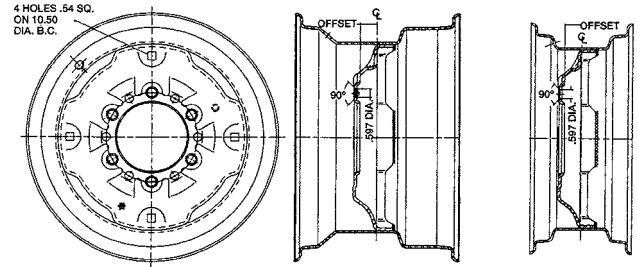
Hub capacities based on .25 negative offset 20,000 mile minimum bearing life at tractor speed (20 mph) and 14,000 PSI. Maximum Fiber Stress on the spindle. Hubs include parts in shaded areas only.

CTD HUBS, WHEELS & SPINDLES

14" & 15" & 16" Diameter Standard Convex Implement Wheels

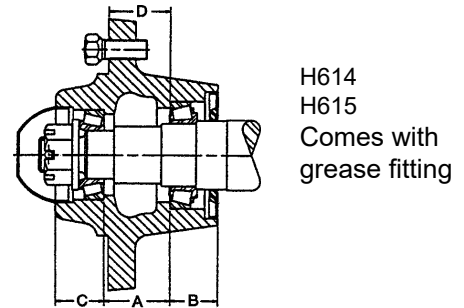
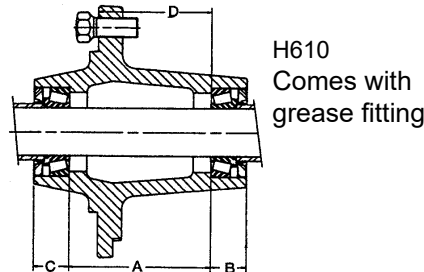
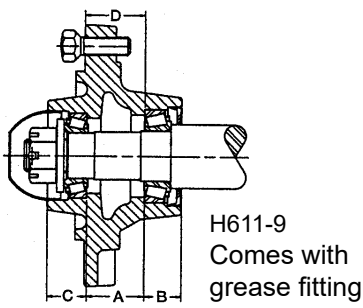
6 BOLT, 6" BOLT CIRCLE, 4.62" PILOT

PART NO.	RIM	OFFSET	CAPACITY (lbs.)
HUB15X6X6	15 x 6 LB	+ 1.12	3000
HUB15X8X6	15 x 8 LB	+ 1.12	3000
HUB15X10X6	15 x 10 LBH	+ 1.12	3800
HUB16X6X6	16 x 6 LBH	+ 1.12	3800
HUB16X8X6	16 x 8 LBH	+ 1.12	3800



Hubs & Component Parts for 14" & 15" & 16" Convex Implement Wheels

6 BOLT, 6" BOLT CIRCLE, 4.62" PILOT



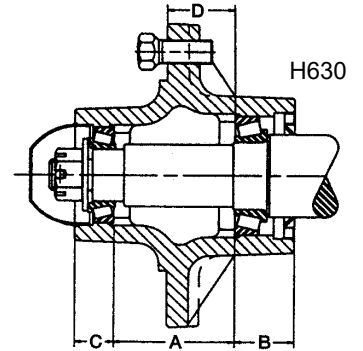
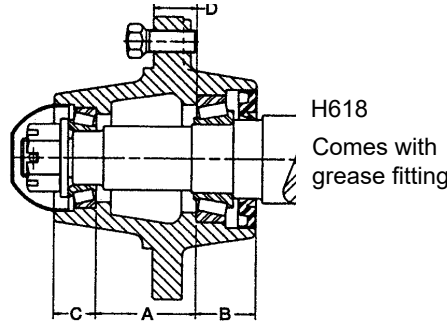
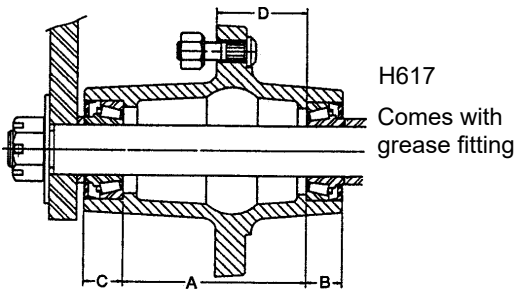
HUB NO.	BEARING NO.						PART NO.			A	B	C	D	*CAP lbs.	SPINDLE
	INNER CUP	OUTER CUP	INNER CONE	INNER BORE	OUTER CONE	OUTER BORE	DUST CAP	WHEEL BOLT	GREASE SEAL						
HUBH610-3	LM48510	LM48510	LM48548	1.37	LM48548	1.37	-	WB12	SE14	4.00	1.00	1.00	3.18	3800	-
HUBH611-1	LM29710	LM67010	LM29749	1.50	LM67048	1.25	DC13	WB10	SE14	1.56	1.00	1.06	1.62	3600	S611-A04
HUBH611-3	LM48510	LM67010	LM48548	1.375	LM67048	1.25	DC13	WB10	SE28	1.56	1.00	1.06	1.62	3600	S611-A15
HUBH611-9	LM29710	LM67010	LM29749	1.50	LM67048	1.25	DC13	WB10	SE13	1.56	1.00	1.06	1.62	3600	S611-A04
HUBH611-1-J	JL69310	LM67010	JL69349	1.50	LM67048	1.25	DC13	WB10	SE14	1.56	1.00	1.06	1.62	3600	S611-1-JA04
HUBH614-1	LM603011	LM48510	LM603049	1.78	LM48548	1.375	DC15	WB12	SE16	1.75	1.37	1.37	1.62	5000	S614-A05
HUBH615-1	LM603011	LM48510	LM603049	1.78	LM48548	1.375	DC15	WB12	SE29	1.75	1.37	1.37	1.62	5000	S614-A05
HUBH618-3	25520	LM48510	25580	1.750	LM48548	1.375	DC15	WB12	SE30	2.53	1.53	1.06	1.09	6000	S618-A17

Hub capacities based on 1.12 positive offset 20,000 mile minimum bearing life at tractor speed (20mph) and 14,000 PSI. Maximum fiber stress on the spindle. Hubs include parts in shaded areas only.

CTD HUBS, WHEELS & SPINDLES

Hubs & Component Parts for 14", 15" & 16" Convex Implement Wheels

6 BOLT, 6" BOLT CIRCLE, 4.62" PILOT

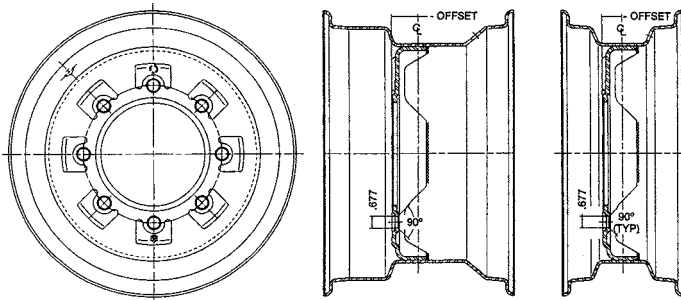


HUB NO.	BEARING NO.						PART NO.			A	B	C	D	*CAP lbs.	SPINDLE
	INNER CUP	OUTER CUP	INNER CONE	INNER BORE	OUTER CONE	OUTER BORE	DUST CAP	WHEEL BOLT	GREASE SEAL						
HUBH617-1	13621	13621	13686	1.50	13686	1.50	-	WB16 WB11	SE24	5.00	1.06	1.00	3.37	3500	-
HUBH618	25520	LM48510	25580	1.75	LM48548	1.37	DC15	WB12	SE30	2.53	1.53	1.06	1.09	6000	S618-A17
HUBH630	LM501310	LM67010	LM501349	1.62	LM67048	1.25	DC13	WB12	SE44	2.84	1.43	.93	1.59	3500	S630-A01

Hub capacities based on 1.12 positive offset 20,000 mile minimum bearing life at tractor speed (20mph) and 14,000 PSI. Maximum fiber stress on the spindle. Hubs include parts in shaded areas only.

15" & 16" Diameter Agricultural Implement Wheels

8 BOLT, 8" BOLT CIRCLE, 6" PILOT



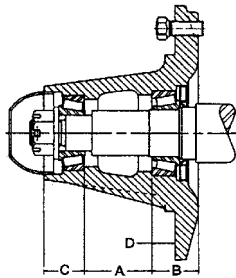
PART NO.	RIM	OFFSET*	CAPACITY (lbs.)
HUB15X8X8	15 x 8 LB	-1.50	5000
HUB15X10X8	15 x 10 LB	+38	5000
HUB16X8X8	16 x 8 LBH	-1.50	5000
HUB16X10X8	16 x 10 LB	-1.50	5000

*Other offsets available.

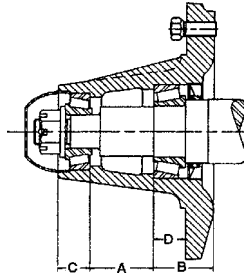
CTD HUBS, WHEELS & SPINDLES

Hubs & Component Parts for 15" & 16" Agricultural Wheels

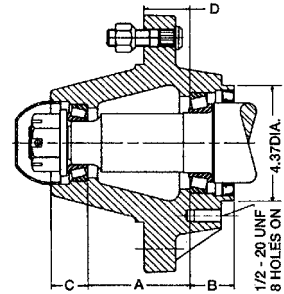
8 BOLT, 8" BOLT CIRCLE, 6" PILOT for Agricultural Applications



H811
Comes with
grease fitting



H812
Comes with
grease fitting



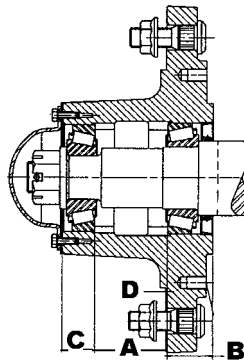
H817
Comes with
grease fitting

HUB NO.	BEARING NO.						PART NO.			A	B	C	D	*CAP lbs.	SPINDLE
	INNER CUP	OUTER CUP	INNER CONE	INNER BORE	OUTER CONE	OUTER BORE	DUST CAP	WHEEL BOLT	GREASE SEAL						
HUBH811	25520	25821	25590	1.79	25877	1.37	DC17	WB12	SE16	2.50	1.75	1.50	.87	5050	S811
HUBHD812-10	3720	2720	3780	2.00	2790	1.31	DC17	WB12	SE17	2.44	2.28	1.21	1.21	6100	S812-A27
HUBH817-3	382A	LM5013-10	387AS	2.25	LM50-1349	1.62	DC26	WB46	SE42	3.75	1.62	1.37	1.68	7500	S817-A03
								WB18							

*Hub capacities based on 1.50 negative offset (H817 series based on 1.12 positive offset). 20,000 mile minimum bearing life at tractor speed (20mph) and 14,000 PSI. Maximum fiber stress on the spindle. Hubs include parts in shaded areas only.

Hubs & Component Parts for Agricultural Applications

10 BOLT, 11.25" BOLT CIRCLE, 8.69" PILOT



H1010
Comes with
grease fitting

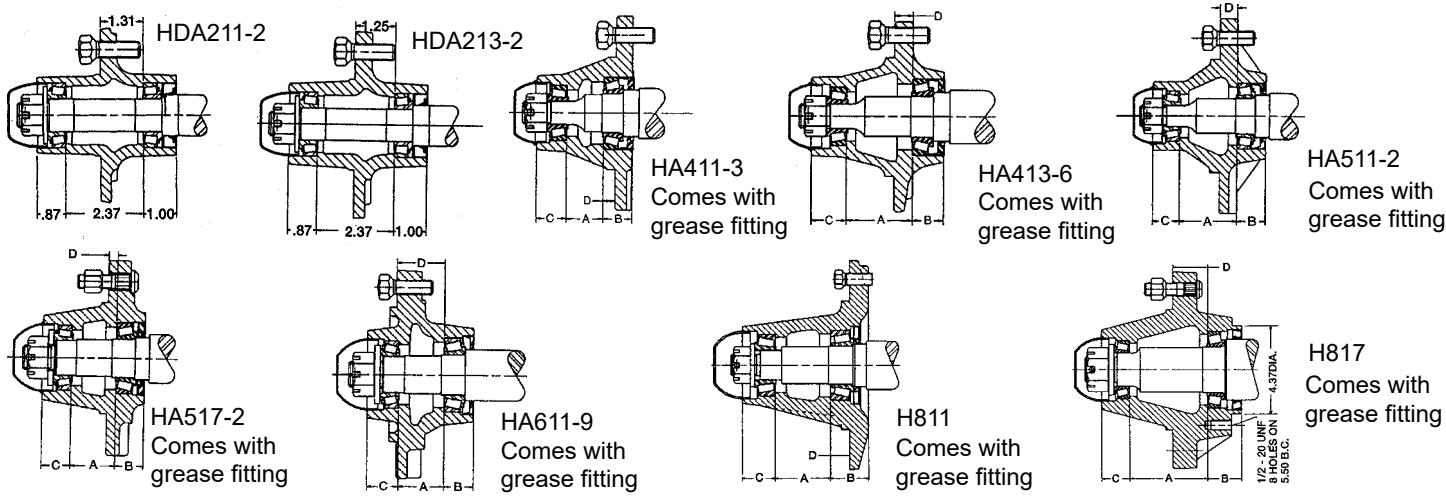
HUB NO.	BEARING NO.						PART NO.			A	B	C	D	*CAP lbs.	SPINDLE
	INNER CUP	OUTER CUP	INNER CONE	INNER BORE	OUTER CONE	OUTER BORE	DUST CAP	WHEEL BOLT	GREASE SEAL						
HUBH1010-13**	39520	453A	39585	2.50	460	1.75	DC27	WB51	SE48	2.81	1.75	1.25	0.06	12,000	S1010-A02
								WB52							

*Hub capacities based on zero offset, 20,000 mile minimum bearing life at tractor speed (20mph) and 14,000 PSI. Maximum fiber stress on the spindle.

**For brake application. Hubs include parts in shaded areas only.

CTD HUBS, WHEELS & SPINDLES

HUB & Component Kits, Unassembled

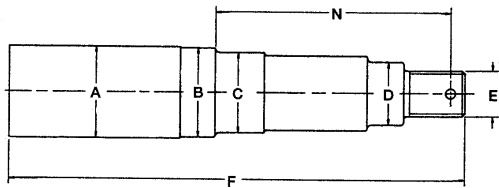


HUB NO.	BEARING NO.						PART NO.			A	B	C	D	*CAP lbs.	SPINDLE
	INNER CUP	OUTER CUP	INNER CONE	INNER BORE	OUTER CONE	OUTER BORE	DUST CAP	WHEEL BOLT	GREASE SEAL						
HUBHDA213-2	L44610	L44610	L44643	1.00	L44643	1.00	DC11	WB10	SE10	2.37	1.0	.87	1.25	1250	S210-A36
HUBHA411KIT-3	LM67010	LM11910	LM67048	1.25	LM11949	.75	DC12	WB10	SE11	1.18	.93	.93	.37	1250	S411-A09
HUBHA413KIT-6	LM67010	LM11910	LM67048	1.25	LM11949	.75	DC24	WB10	SE11	2.00	.93	1.06	.56	1500	S511-A01
HUBHA510	LM67010	LM11910	LM67048	1.25	LM11949	.75	DC12	WB10	SE-11	1.18	.93	.93	.37	1250	S411-A09
HUBHA511KIT-2	LM67010	LM11910	LM67048	1.25	LM11949	.75	DC12	WB10	SE11	2.03	1.00	.93	.63	1800	S511-A01
HUBHA517KIT-2	LM48510	LM67010	LM48548	1.37	LM67048	1.25	DC13	WB16 WB11	SE13	1.56	1.00	1.00	.31	2760	S517-A02
HUBHA611KIT-9	LM29710	LM67010	LM29749	1.50	LM67048	1.25	DC13	WB10	SE13	1.56	1.00	1.06	1.62	3600	S611-A04
HUBHA614KIT-1	LM603011	LM48510	LM603049	1.78	LM48548	1.37	DC15	WB12	SE16	1.75	1.37	1.37	1.62	5000	S614-A05
HUBHA615KIT-1	LM603011	LM48510	LM603049	1.78	LM48548	1.37	DC15	WB12	SE29	1.75	1.37	1.37	1.62	5000	S614-A05
HUBHA618KIT-3	25520	LM48548	25580	1.75	LM48548	1.37	DC15	WB12	SE-30	2.53	1.53	1.06	1.09	6000	S618
HUBHA811KIT	25520	25821	25590	1.79	25877	1.37	DC17	WB12	SE16	2.50	1.75	1.50	.87	5050	S811
HUBHA1010-3	33462	453A	33275	2.75	460	1.75	DC27	WB51	SE67	2.81	1.75	1.25	0.06	15000	S1010-3-A23

Note: HD211-2 & HD213-2 HUB capacity based on zero offset. Maximum wheel diameter 12". HA411-3 & HA413-6 HUB capacities based on .38 Negative Offset, 20,000 mile minimum bearing life at tractor speed (20MPH) and 14,000 PSI. Maximum Fiber Stress on the spindle. HA511-2, HA517-2, HA516, HA519 Hub capacities based on .25 negative offset 20,000 mile minimum bearing life at tractor speed (20 mph) and 14,000 PSI. Maximum Fiber Stress on the spindle. HA611-9, HA613-1, HA614-1, HA615-1 Hub capacities based on 1.12 positive offset 20,000 mile minimum bearing life at tractor speed (20mph) and 14,000 PSI. Maximum fiber stress on the spindle. HA811, HDA812-10, HA817-3 Hub capacities based on 1.50 negative offset (H817 series based on 1.12 positive offset) 20,000 mile minimum bearing life at tractor speed (20mph) and 14,000 PSI. Maximum fiber stress on the spindle. Kits do not include a spindle.

CTD HUBS, WHEELS & SPINDLES

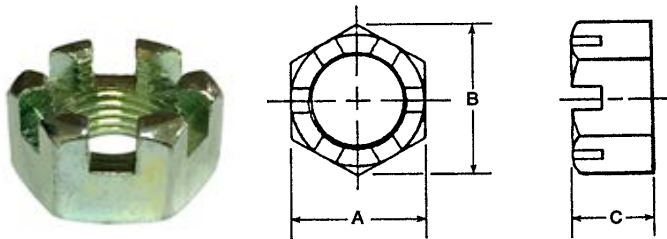
Spindles



SPINDLE SERIES	A	B	C	D	E	F	N
HUBS210-A36	1.25	1.25	1.000/.998	1.000/.988	3/4-16UNF	9	4.15
HUBS411-A09	1.50	1.50	1.250/1.248	.750/.748	3/4-16UNF	10	2.93
HUBS411-A11	1.50	1.50	1.250/1.248	.750/.748	3/4-16UNF	12	2.93
HUBS411-A47	1.50	1.50	1.250/1.248	.750/.748	3/4-16UNF	13.5	2.93
HUBS511-A01	1.62	1.62	1.250/1.248	.750/.748	3/4-16UNF	10	3.81
HUBS511-A07	1.62	1.50	1.250/1.248	.750/.748	3/4-16UNF	12	3.81
HUBS516-A03	1.62	1.62	1.375/1.373	.750/.748	3/4-16UNF	10	3.87
HUBS517-A02	1.75	1.75	1.375/1.375	1.240/1.248	7/8-14UNF	10	3.65
HUBS519	2.00	1.75	1.500/1.498	1.189/1.187	7/8-14UNF	10.5	5.28
HUBS611-A04	2.00	1.75	1.500/1.498	1.250/1.248	1-14UNF	10	3.75
HUBS611-A15	2.00	1.75	1.500/1.498	1.250/1.248	1-14UNF	12	4.06
HUBS611-1-J-A04	1.75	1.62	1.495/1.493	1.250/1.248	1-14UNS	12.5	3.75
HUBS614-A05	2.00	2.00	1.781/1.779	1.375/1.373	1-14UNS*	10	4.09
HUBS614-A15	2.00	2.00	1.781/1.779	1.375/1.373	1-14UNS*	12	4.09
HUBS618-A06	2.00	2.00	1.750/1.748	1.375/1.373	1-14UNS*	15	5.00
HUBS618-A17	2.00	2.00	1.750/1.748	1.375/1.373	1-14UNS*	13	5.00
HUBS630-A01	2.00	2.00	1.625/1.623	1.250/1.248	3/4-16UNF	11	5.15
HUBS811-A03	2.125	2.00	1.796/1.794	1.375/1.373	1-14UNS	16	5.28
HUBS812-A27	2.75	2.50	2.000/1.998	1.312/1.310	1-14UNS	14	5.46
HUBS817-A03	3.00	3.00	2.250/2.248	1.625/1.623	1-1/4-12UNF	16	6.436
HUBS1010-A02	3.00	3.00	2.500/2.498	1.750/1.748	1-1/4-12UNF	20	6.25
HUBS1010-3-A23	4.00	3.37	2.750/2.748	1.750/1.748	1-1/4-12UNF	22	6.25
HUBS1020-A08FC	4.50	4.37	3.543/2.541	2.625/2.623	2-12UNF	22.87	8.25

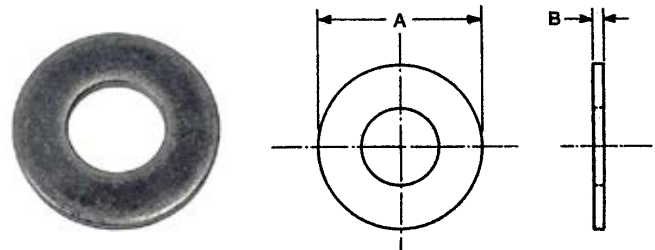
HUB ACCESSORIES

Spindle Nuts



NUT PART NO.	THREADS	A	B	C
HUBWB29	5/8-18 UNF	15/16	1-1/16	35/64
HUBWB30	3/4 - 16UNF	1-1/8	1-1/4	41/64
HUBWB32	7/8 - 14UNF	1-5/16	1-1/2	3/4
HUBWB33	1 - 14UNS	1-1/2	1-23/32	55/64
HUBWB36	1-1/8-12 UNF	1-11/16	1-7/8	31/32
HUBWB38	1-1/4 - 12UNF	1-7/8	2-1/8	1-1/16

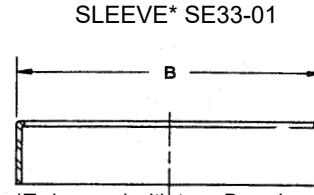
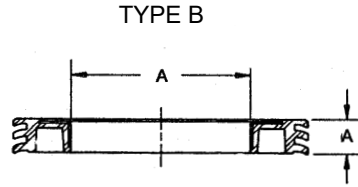
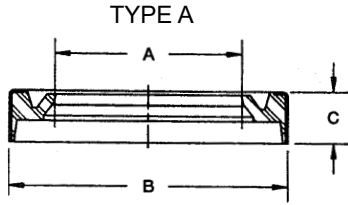
Spindle Washers



WASHER PART NO.	SIZE	A	B
HUBWA10	3/4	1-3/4	.119
HUBWA12	7/8	2	.187
HUBWA17H	1	2	.187
HUBWA23	1-1/4	2-1/2	.250

HUB ACCESSORIES

Grease Seals



*To be used with type B seal.



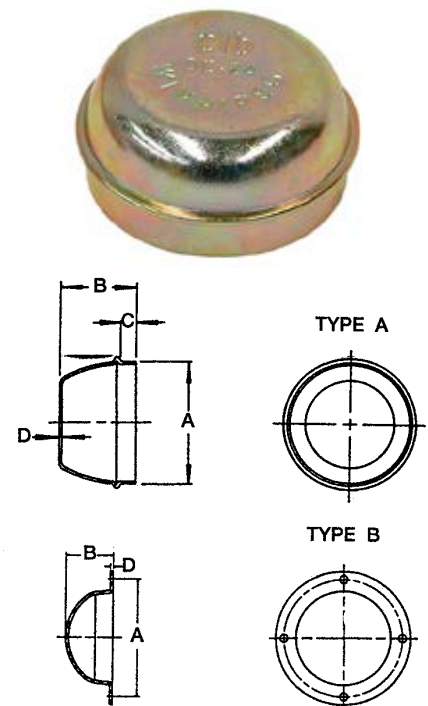
SEAL NO.	TYPE	'A' ID	'B' OD	'C' WIDTH
HUBSE10	A	1.21	1.983	0.406
HUBSE11	A	1.5	2.332	0.5
HUBSE12	A	1.62	2.332	0.438
HUBSE13	A	1.75	2.722	0.359
HUBSE13X	A	1.75	2.754	0.35
HUBSE14	A	1.62	2.566	0.25
HUBSE15	A	1.37	2.332	0.41
HUBSE16	A	2	3.63	0.25
HUBSE17	A	2.5	3.881	0.469
HUBSE18	A	2.13	3.881	0.375
HUBSE19	A	1	1.785	0.469
HUBSE22	A	1.68	2.566	0.5
HUBSE23	A	2.29	3.153	0.359
HUBSE24	A	2.094	2.722	0.25
HUBSE25	A	2	3.066	0.375
HUBSE26	A	2.25	3.376	0.438
HUBSE28	A	1.5	2.627	0.25
HUBSE29	A	2	3.153	0.25
HUBSE30	A	2	3.548	0.469
HUBSE31	A	2.25	3.881	0.469
HUB2762C	A	1.493	2.966	0.54
HUB2763C	A	1.7	2.564	0.303
HUB2764	A	1.437	2.107	0.523

SEAL NO.	TYPE	'A' ID	'B' OD	'C' WIDTH
HUBSE33	B	1.5	2.566	0.29
HUBSE35	A	2.5	3.756	0.5
SEA204506	A	2	3.628	0.5
HUBSE39	B	1.62	2.566	0.29
HUBSE40	A	2.09	2.754	0.25
HUBSE42	A	3	4.008	0.438
HUBSE44	A	2	3.066	0.25
HUBSE46	A	1.87	3.005	0.25
HUBSE48	A	3	4.505	0.438
HUBSE49	**	4.25	6	0.062
HUBSE55	A	4.37	6.007	0.5
HUBSE67	A	3.375	4.625	0.438
HUBSE77	B	2.45	3.85	0.34

Dust Caps

CAP NO.	TYPE	A	B	C	D
HUBDC10	A	1.79	1	0.25	0.039
HUBDC11	A	1.98	1.18	0.25	0.039
HUBDC12	A	1.94	1	0.25	0.039
HUBDC13	A	2.445	1.41	0.37	0.039
HUBDC15	A	2.721	1.45	0.37	0.047
HUBDC17	A	3.16	1.68	0.37	0.078
HUBDC24	A	1.956	0.96	0.34	0.039
HUBDC26	A	3.12	1.68	0.37	0.078
HUBDC27	B	5	2	-	0.125
HUBDC28	B	5.5	2.62	-	0.125

For Zinc Plated, add ZP to part number.



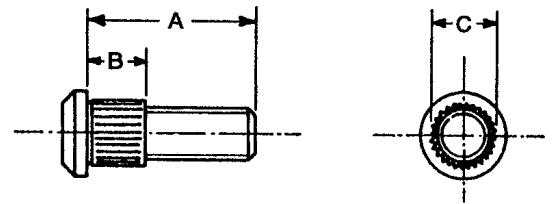
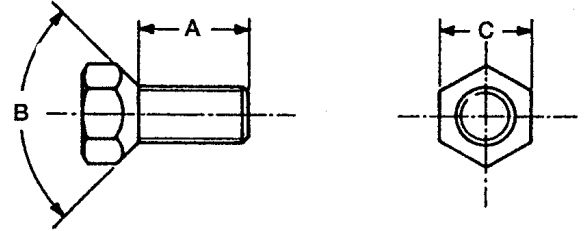
HUB ACCESSORIES

Wheel Bolts



BOLT	THREADS	A	B	C
HUBWB10	1/2-20 UNF	1-1/4	90°	3/4
HUBWB12	9/16-18 UNF	1-1/4	90°	7/8
HUBWB17	9/16-18 UNF	1-3/4	90°	7/8
HUBWB54	1/2-20 UNF	7/8	60°	3/4
HUBWB55	1/2-20 UNF	1	90°	3/4

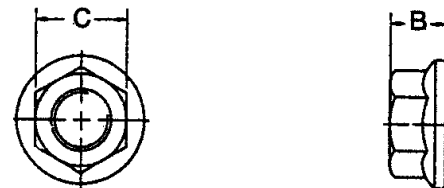
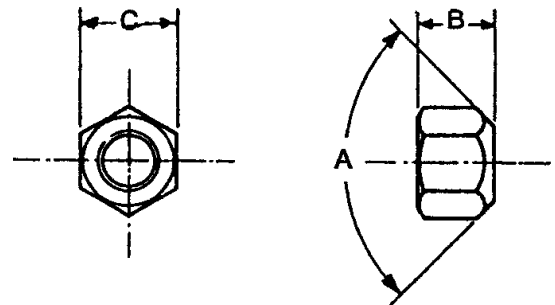
STUD BOLT	THREADS	A	B	C
HUBWB13	1/2-20 UNF	1-5/8	9/16	5/8
HUBWB16	1/2-20 UNF	1-7/8	9/16	5/8
HUBWB41	9/16-18 UNF	2-1/4	5/8	5/8
HUBWB46	5/8-18 UNF	2-1/2	9/16	11/16
HUBWB51	3/4-16 UNF	2-5/8	3/4	1
HUBWB102	3/4-16 UNF	3.282	3/4	1
HUBWB136	7/8-16 UNF	3.50	13/16	1



Wheel Stud Nuts

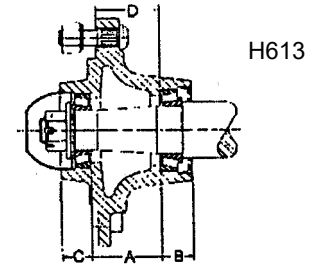


NUT	THREADS	A	B	C
HUBWB11	1/2-20 UNF	90°	5/8	13/16
HUBWB18	5/8-18 UNF	90°	23/32	15/16
HUBWB40	9/16-18 UNF	90°	11/16	1
HUBWB52	3/4-16 UNF	Flange Nuts	5/8	1 1/8
HUBWB58	3/4-16 UNF	Budd Nut	7/8	1 1/2



SPECIAL HUBS

Special Hubs - Melroe Multiweeder (wings) & Ponycarts

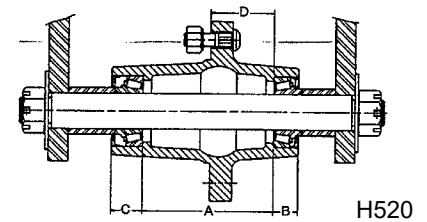


HUB NO	BEARING NO.						PART NO.			A	B	C	D	*CAP (lbs.)	SPINDLE
	INNER CUP	OUTER CUP	INNER CONE	INNER BORE	OUTER CONE	OUTER BORE	DUST CAP	WHEEL BOLT	GREASE SEAL						
Hubs to fit Melroe Multiweeder (wings) and Ponycarts										4 BOLT, 5" BOLT CIRCLE, 3.62" PILOT					
HUBH613	LM29710	LM67010	LM29749	1.50	LM67048	1.25	DC13	WB16 WB11	SE13	2.18	1.00	0.93	2.00	3600	S613-A01

Hubs include parts in shaded areas only.

Special Hubs - Versatile Drills

5 BOLT, 5.50" BOLT CIRCLE, 4" PILOT

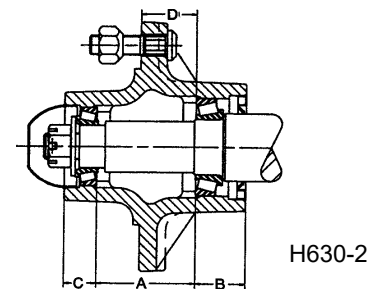


HUB NO	BEARING NO.						PART NO.			A	B	C	D	*CAP (lbs.)
	INNER CUP	OUTER CUP	INNER CONE	INNER BORE	OUTER CONE	OUTER BORE	DUST CAP	WHEEL BOLT	GREASE SEAL					
HUBH520*	14276	14276	14136A	1.37	14136A	1.37	-	WB16 WB11	SE13	5.00	1.0	1.00	2.43	5700

*Hub available with bolts in lieu of studs. Hubs include parts in shaded areas only.

Special Hubs - Concord

6 BOLT, 6" BOLT CIRCLE, 4.62" PILOT



HUB NO	BEARING NO.						PART NO.			A	B	C	D	*CAP (lbs.)
	INNER CUP	OUTER CUP	INNER CONE	INNER BORE	OUTER CONE	OUTER BORE	DUST CAP	WHEEL BOLT	GREASE SEAL					
HUBH630-2	LM501310	LM67010	LM501349	1.62	LM67048	1.25	DC13	WB41 WB40	SE63	2.84	1.43	.93	1.59	3500

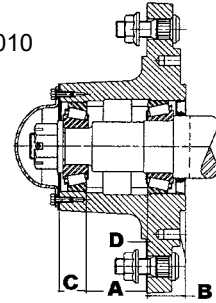
Note: Hubs include parts in shaded areas only.

SPECIAL HUBS

Special Hubs - Morris, Flexicoil (Air Seeders)

10 BOLT, 11.25" BOLT CIRCLE, 8.69" PILOT

H1010



HUB ORDER NO	BEARING NO.						PART NO.			A	B	C	D	*CAP (lbs.)
	INNER CUP	OUTER CUP	INNER CONE	INNER BORE	OUTER CONE	OUTER BORE	DUST CAP	WHEEL BOLT	GREASE SEAL					
HUBH1010-13	39520	453A	39585	2.50	460	1.75	DC27	WB51 WB52	SE48	2.81	1.75	1.25	0.06	12,000

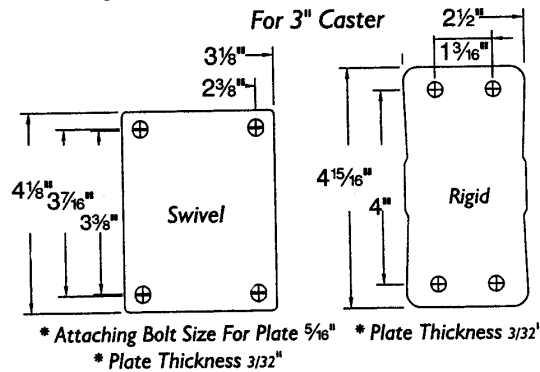
CASTERS

4000 Series Algood Casters

Excellent for general to medium duty usage, hardware, factory, warehouses.
Economical without sacrificing durability.

FEATURES

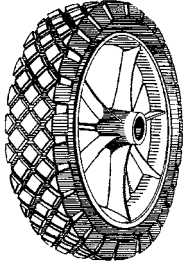
- Kingpin: 1/4", 3/8", 3/8", 3/8", 7/16" diameter rivet
- Raceway: 1/8", 3/16", 7/32", 7/32", 5/16" diameter upper race; hardened steel load bearings
- Bushing: Nylon, steel, roller and ball bearing (BB available on some applications)
- Axle & Nut: 3/16" rivet, 1/4", 5/16", 3/8" axle and lock nut
- Finish: Corrosion resistant bright zinc finish
- Special: Large single raceway deeply embossed for extra strength.



DIAMETER	WHEEL			CASTER			PART NO.	
	TREAD WIDTH	BEARING TYPE	CAPACITY lbs.	SWIVEL RADIUS	OVERALL HEIGHT	WHEEL TYPE	SWIVEL	RIGID
3"	1 1/4"	Nylon	250	2 7/8"	3 3/4"	Soft Rubber	-	HUBR4003-125-SR

COMPLETE UTILITY WHEELS

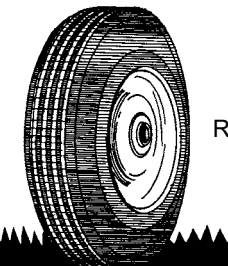
Light Duty Wheels



Diamond Plastic

Plastic Light Duty Wheels

PART NO.	SIZE	HUB	BORE	TREAD	EST. CAPACITY	WEIGHT
HUB6150P-1/2	6 x 1.50	1 3/8" Off	1/2"	Diamond	50	1



Rib

Steel Light Duty Wheels

Used on many lawn furniture, cart, wagon, light duty hand truck, barbeque grill, trash container, golf cart, rotary mower and toy applications.

PART NO.	SIZE	HUB	BORE	TREAD	EST. CAPACITY	WEIGHT
HUB6150BB-1/2	6 x 1.50	1 3/4" CTD	1/2" BB	Rib	50	1 1/4
HUB8175BB-1/2	8 x 1.50	2" CTD	1/2" BB	Rib	60	2 1/2
HUB10175BB-1/2	10 x 1.75	2 1/16" CTD	1/2" BB	Rib	80	3 1/4

Flat Free Universal Tire & Wheel

- Foam filled, never goes flat.
- Retains pneumatic-like feel, not hard as a rock.
- Standard sizing 4.80/400 x 8
- 4-ply rating
- 4" width of wheel shaft, 3/4" I.D. bearing



PART NO.	DESCRIPTION
HUB400X8A-FF	Flat free universal tire and wheel

Low Speed Wheel Assembly

- 480/400 x 8
- 4-ply rating
- 4" width of wheel shaft, 3/4" I.D. bearing
- Multi use wheel assembly
- Sprayer booms
- Wheel barrows
- Carts
- Portable equipment



PART NO.	DESCRIPTION
HUB400X8A	Low speed wheel assembly, air filled
BEIASF107-6	Replacement bearing for HUB400X8A

See Ag Catalogue Section 19 for Jacks & Jack Repair Parts